

BEARING TOLERANCES

Standard Values

The tolerances for the dimensions and running accuracy of bearings are set out in ISO 492/199/582. This largely corresponds to DIN 620.



ACCURACY CLASSES

Apart from the standard accuracies defined by DIN/ISO, higher accuracies are specified by 6x, 6, 5, 4 and 2.

Bearing types		Applicable tolerance classes					
	Deep-groove ball bearings	Normal	Class 6	Class 5	Class 4	Class 2	
	Angular-contact ball bearings	Normal	Class 6	Class 5	Class 4	Class 2	
	Self-aligning ball bearings	Normal	Class 6 equivalent	Class 5 equivalent	–	–	
	Cylindrical roller bearings	Normal	Class 6	Class 5	Class 4	Class 2	
	Needle roller bearings (solid type)	Normal	Class 6	Class 5	Class 4	–	
	Spherical roller bearings	Normal	Class 6	Class 5	–	–	
Tapered roller bearings	Metric design	Normal Class 6X	–	Class 5	Class 4	–	
	Inch design	ANSI/ABMA Class 4	ANSI/ABMA Class 2	ANSI/ABMA Class 3	ANSI/ABMA Class 0	ANSI/ABMA Class 00	
	Magneto bearings	Normal	Class 6	Class 5	–	–	
	Thrust ball bearings	Normal	Class 6	Class 5	Class 4	–	
	Tapered roller thrust bearings	Normal	–	–	–	–	
	Thrust spherical roller bearings	Normal	–	–	–	–	
Equivalent standards (reference)	JIS ⁽¹⁾	Class 0	Class 6	Class 5	Class 4	Class 2	
	DIN ⁽²⁾	P0	P6	P5	P4	P2	
	ANSI/ABMA ⁽³⁾	Ball bearing	ABEC 1	ABEC 3	ABEC 5 (Class 5P)	ABEC 7 (Class 7P)	ABEC 9 (Class 9P)
		Roller bearing	RBEC 1	RBEC 3	RBEC 5	–	–
	Tapered roller bearing	Class 4	Class 2	Class 3	Class 0	Class 00	

Notes: ⁽¹⁾ JIS : Japanese Industrial Standards.

⁽²⁾ DIN: Deutsche Industrie Norm.

⁽³⁾ ANSI/ABMA: The American Bearing Manufacturers Association.

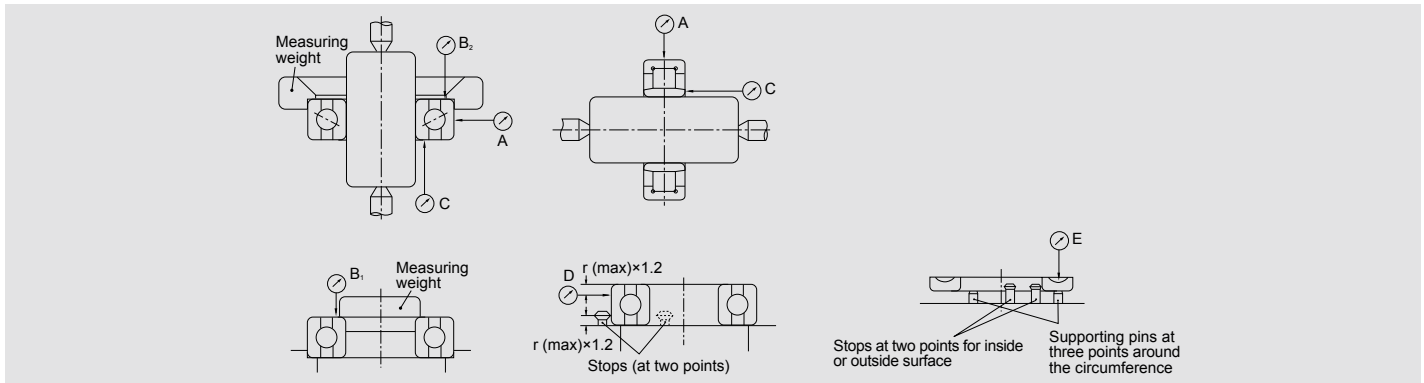
The tolerances of the accuracy class “Normal” (P0) are sufficient for general applications in most cases.

BEARING TOLERANCES

TYPICAL TOLERANCE CLASSES FOR SPECIFIC APPLICATIONS (REFERENCE)

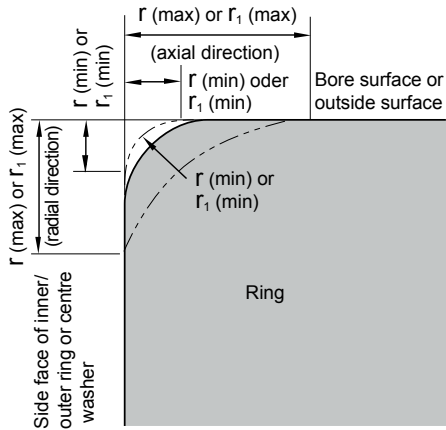
Bearing requirement, operating conditions	Examples of applications	Tolerance classes
High running accuracy is required	VTR drum spindles Magnetic disk spindles for computers Machine tool main spindles Rotary printing presses Rotary tables of vertical presses, etc. Roll necks of cold rolling mill backup rolls Slewing bearings for parabolic antennae	P5 P5, P4, P2 P5, P4, P2 P5 P5, P4 Higher than P4 Higher than P4
Very high speed is required	Dental drills Gyroscopes High-frequency spindles superchargers Compressors Centrifugal separators Main shafts for jet engines	Class 7P, Class 5P Class 7P, P4 Class 7P, P4 P5, P4 P5, P4 Higher than P4
Low torque and low torque variation are required	Gyroscope gimbals Servomechanisms Potentiometric controllers	Class 7P, P4 Class 7P, Class 5P Class 7P

MEASURING METHODS



Running accuracy	Inner ring	Outer ring	Measuring point
K_{ia}	rotating	stationary	A
K_{ea}	stationary	rotating	A
S_{ia}	rotating	stationary	B ₁
S_{ea}	stationary	rotating	B ₂
S_d	rotating	stationary	C
S_D	–	rotating	D
S_i, S_e	Only the shaft or housing or central washer is to be rotated		E

BEARING TOLERANCES

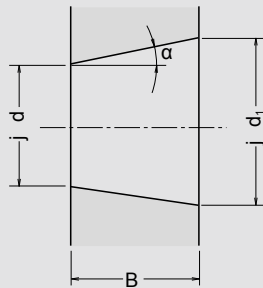


Remarks: The exact shape of the edge reduction results from the radius that is reduced in the area of the face and rolling surfaces. Make sure that there is no contact between the surrounding structure and the bearing in the area of the edge reduction. The radius here is smaller than the r (min) or r_1 (min) value quoted in the bearing table. (According to DIN 616, ISO 15 and ISO 355.)

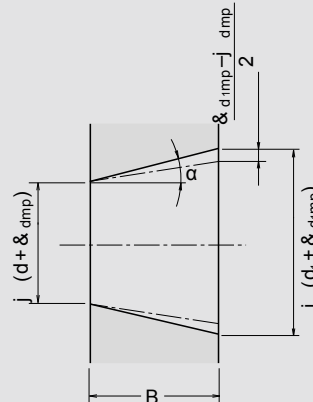
- r : Chamfer dimension of inner/outer ring
- r_1 : Chamfer dimension of inner/outer ring (front side) or the center washer of thrust ball bearings

TOLERANCES FOR TAPERED BORES (CLASS NORMAL)

Nominal tapered bore



Tapered bore with deviation in single plane mean bore diameter



- d : nominal bore diameter
- d_1 : theoretical diameter of larger end of tapered bore
taper 1:12 $d_1 = d + 1/12 B$ taper 1:30 $d_1 = d + 1/30 B$
- Δ_{dmp} : single plane mean bore diameter deviation in theoretical diameter of smaller end of bore
- Δ_{d1mp} : single plane mean bore diameter deviation in theoretical diameter of larger end of bore
- V_{dp} : bore diameter variation in a single radial plane
- B : nominal inner ring widths
- α : half of taper angle of tapered bore

Taper 1:12
 $\alpha = 2^\circ 23' 9,4''$
 $= 2,38594^\circ$
 $= 0,041643 \text{ rad}$

Taper 1:30
 $\alpha = 0^\circ 57' 17,4''$
 $= 0,95484^\circ$
 $= 0,016665 \text{ rad}$