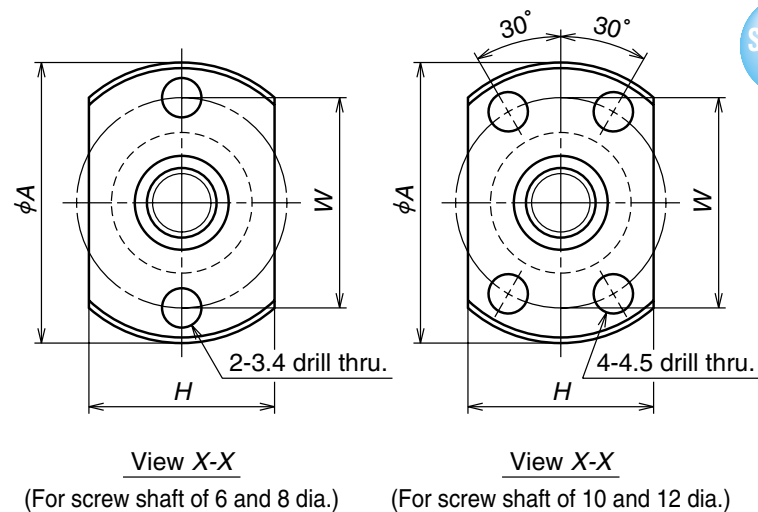


φ6×1, φ8×1, φ8×1.5
φ8×2, φ10×2, φ12×2



Ball screw No.	Stroke Max. L_t-L_n	Shaft dia. d	Lead l	Ball dia. D_w	Ball circle dia. d_m	Root dia. d_r	Effective turns of balls	Basic load rating (N)		Axial play Max.
								Dynamic C_a	Static C_{0a}	
RMS0601C7S-300	235	6	1	0.800	6.2	5.3	3	520	925	0.02
RMS0801C7S-300	234	8	1	0.800	8.2	7.3	3	600	1290	0.02
RMS0801.5C7S-300	228		1.5	1.000	8.3	7.2		810	1590	
RMS0802C7S-300	224		2	1.200	8.3	7.0		1070	1950	
RMS1002C7S-350	262	10	2	1.200	10.3	9.0	3	1210	2510	0.02
RMS1202C7S-350	262	12	2	1.200	12.3	11.0	3	1350	3190	0.02

Unit: mm

Nut dimensions						Screw shaft dimensions				Lead accuracy			Shaft run-out**	Mass (Kg)	Permissible rotational speed N (min ⁻¹)
D	A	H	B	L_n	W	Effective thread length L_t	Shaft end L_1	d_2	Overall length L_0	Target compensation T	Deviation e_p	Variation v_{300}			
12	24	16	3.5	15	18	250	50	4	300	0	0.085	0.052	0.09	0.075	3000
14	27	18	4	16	21	250	50	6	300	0	0.085	0.052	0.09	0.13	
15	28	19		22	22									0.14	
16	29	20		26	23									0.15	
18	35	22	5	28	27	290	60	8	350	0	0.085	0.052	0.10	0.25	
20	37	24	5	28	29	290	60	10	350	0	0.085	0.052	0.10	0.35	

- Remarks
1. We recommend NSK support unit or support kit.
 2. Only rust preventive agent is applied at time of delivery. Please apply lubricant (oil or grease) before use.
 3. Seal is not installed.
 4. Permissible rotational speed is determined by a $d \cdot n$ value and a critical speed. See page B509.