

C-1-2 Classification and Series

Table 2.1

| | Light Weight | Beam Rigidity | Moment Rigidity |
|------------|--------------|---------------|-----------------|
| MCM Series | ○ | ○ | ○ |
| MCH Series | ○ | ◎ | ○ |

| | Accuracy | Long Stroke | Size Variation |
|--|----------|-------------|----------------|
| | ○ | ○ | ◎ |
| | ◎ | ◎ | ○ |

[MCM Series Cross-sections]

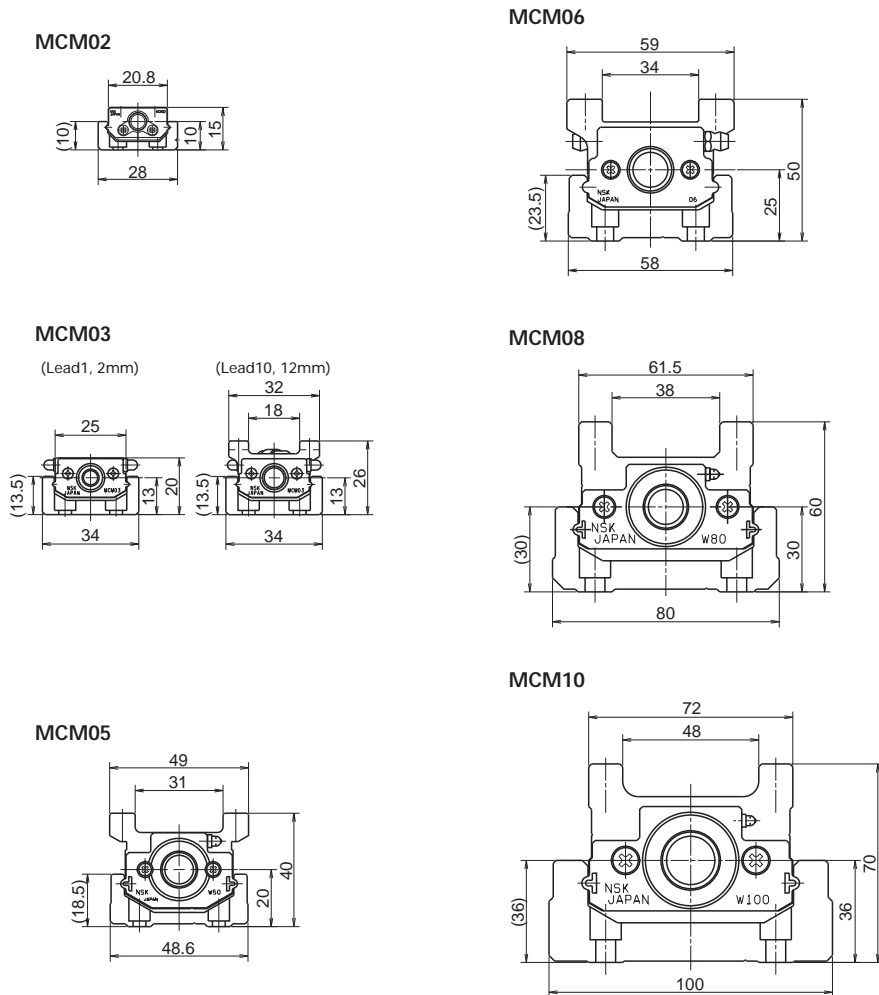


Fig. 2.1

[MCH Series Cross-sections]

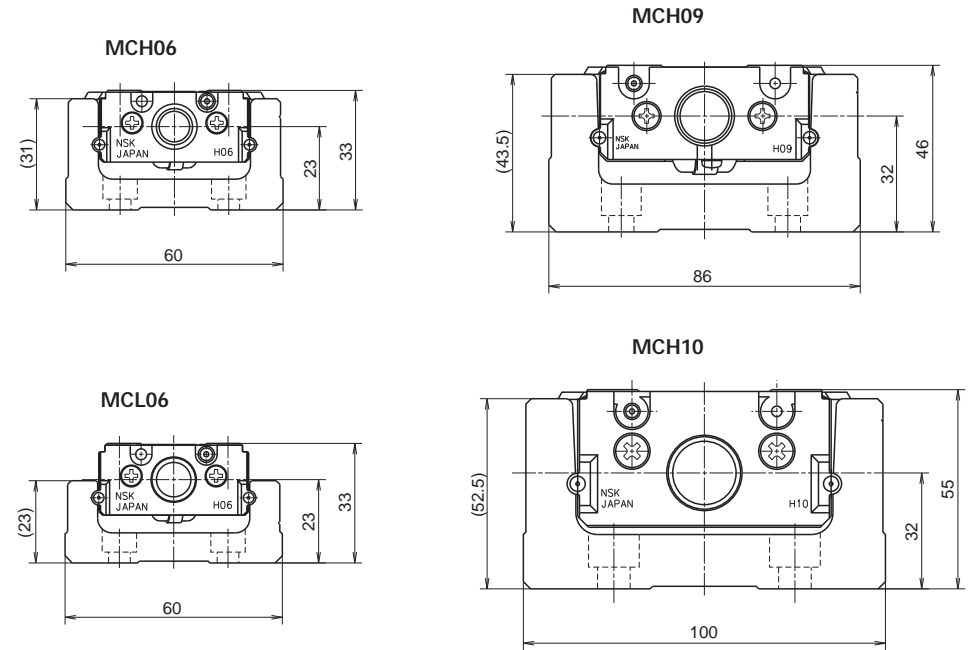


Fig. 2.2