

C-I-2 Classification and Series

Table 1-1

	Light Weight	Beam Rigidity	Moment Rigidity
MCM Series	○	○	○
MCH Series	○	◎	○

Accuracy	Long Stroke	Size Variation
◎	○	◎
◎	◎	○

[MCM Series Cross-sections]

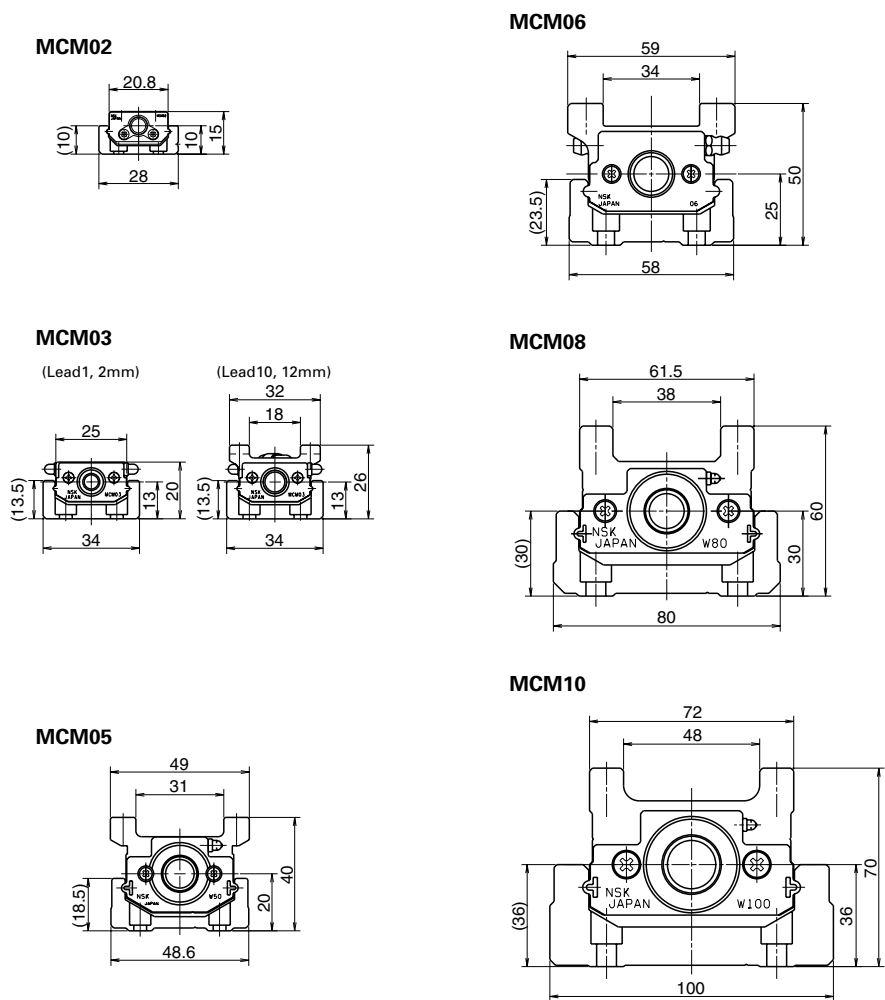


Fig. 1-1

[MCH Series Cross-sections]

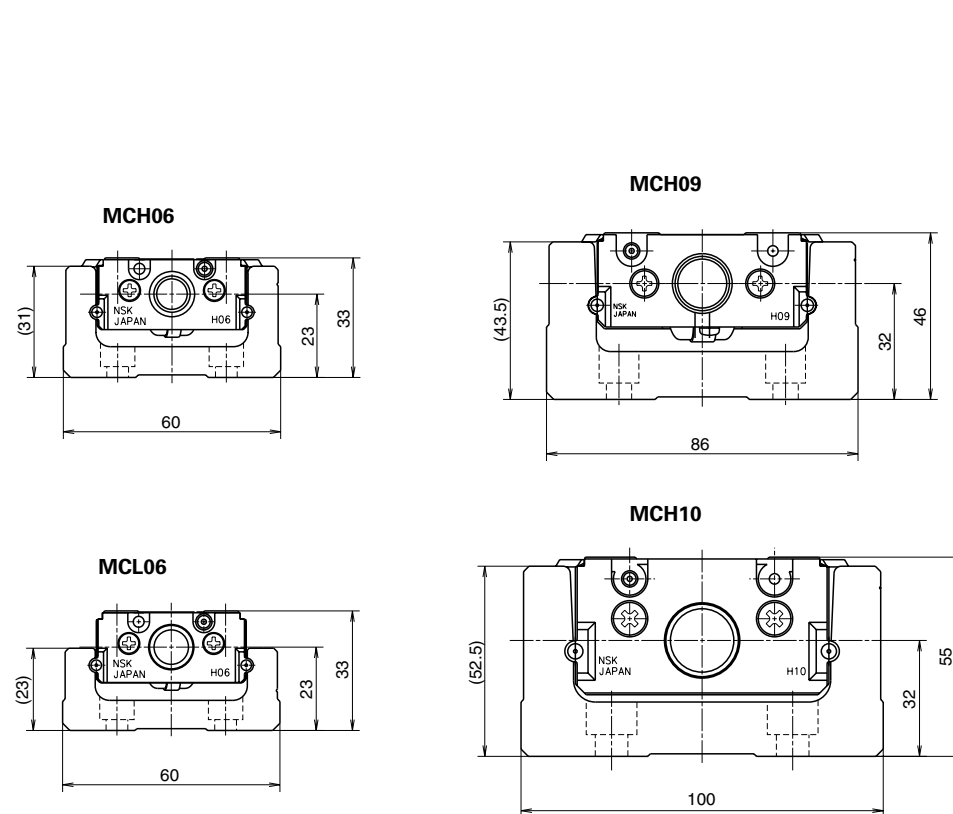


Fig. 1-2