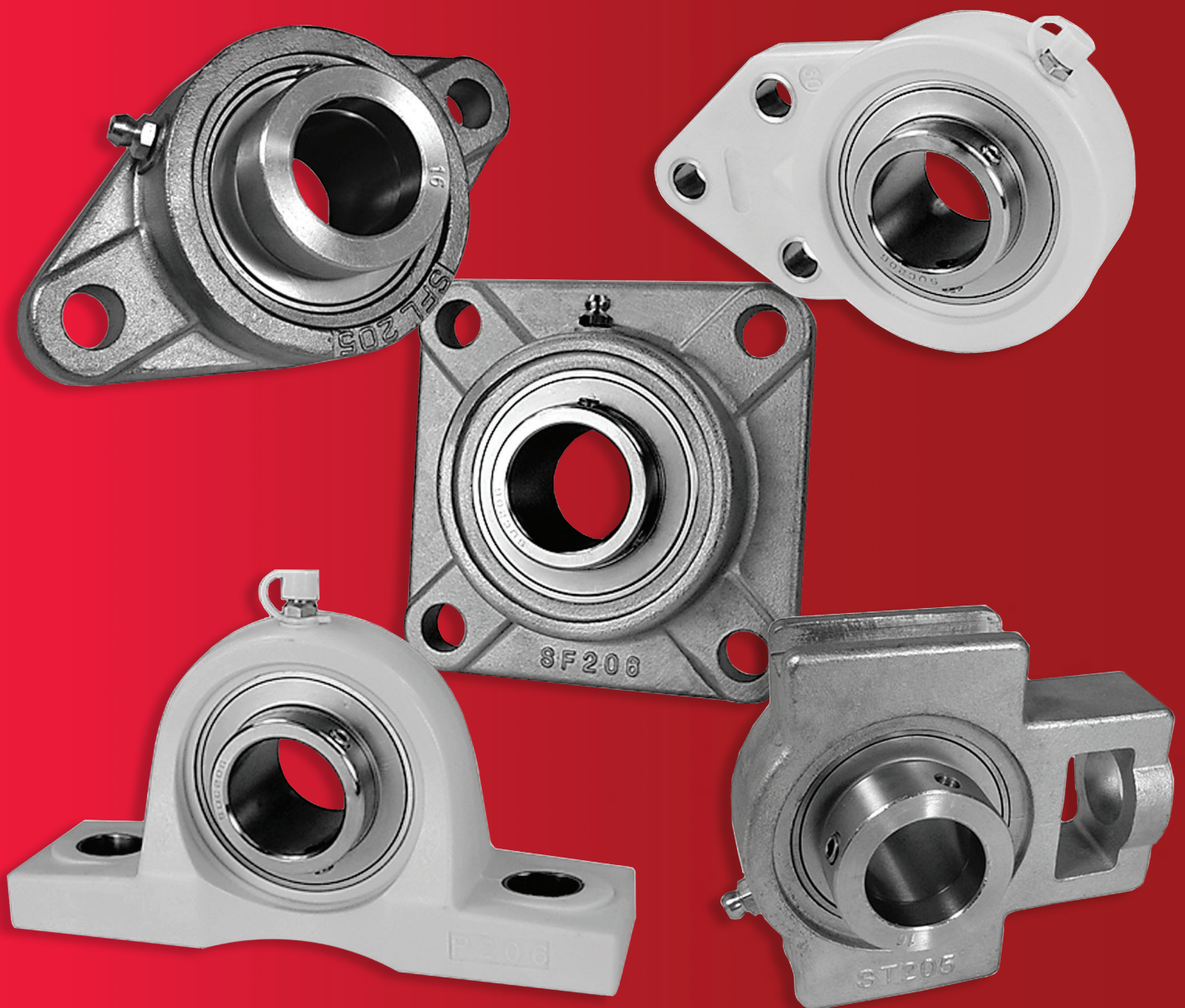


NSK

MOUNTED UNITS FOR FOOD AND BEVERAGE INDUSTRIES



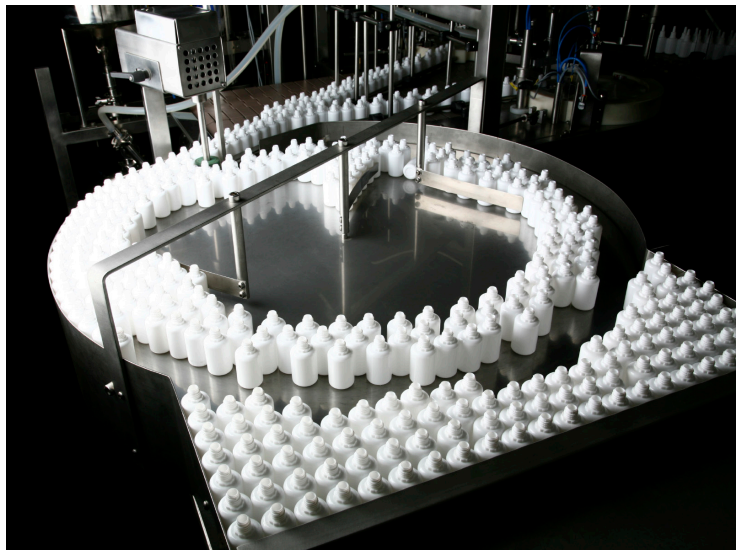
STAY IN MOTION. STAY IN CONTROL.

TABLE OF CONTENTS

NSK Mounted Units - Solutions for all of your Food and Beverage Needs	3
NSK Corrosion Resistant Mounted Ball Bearings.....	4
Ball Bearing Selection Criteria.....	5
Nomenclature.....	6
Interchange	6
Stainless Steel Pillow Block, Set Screw Lock, SUCSP 200	8
Stainless Steel Pillow Block, Eccentric Collar Lock, SHCSP 200.....	9
Stainless Steel 4-Bolt Flange, Set Screw Lock, SUCSF 200.....	10
Stainless Steel 4-Bolt Flange, Eccentric Collar Lock, SHCSF 200.....	11
Stainless Steel 2-Bolt Flange, Set Screw Lock, SUCSFL 200	12
Stainless Steel 2-Bolt Flange, Eccentric Collar Lock, SHCSFL 200	13
Stainless Steel 3-Bolt Flanged Bracket, Set Screw Lock, SUCSFB 200	14
Stainless Steel 3-Bolt Flanged Bracket, Eccentric Collar Lock, SHCSFB 200	15
Stainless Steel Take-Up Unit, Set Screw Lock, SUCST 200.....	16
Stainless Steel Take-Up Unit, Eccentric Collar Lock, SHCST 200.....	17
Thermoplastic Pillow Block, Set Screw Lock, SUCTP 200	18
Thermoplastic Pillow Block, Eccentric Collar Lock, SHCTP 200.....	19
Thermoplastic 4-Bolt Flange, Set Screw Lock, SUCTF 200.....	20
Thermoplastic 4-Bolt Flange, Eccentric Collar Lock, SHCTF 200.....	21
Thermoplastic 2-Bolt Flange, Set Screw Lock, SUCTFL 200	22
Thermoplastic 2-Bolt Flange, Eccentric Collar Lock, SHCTFL 200	23
Thermoplastic 3-Bolt Flanged Bracket, Set Screw Lock, SUCTFB 200	24
Thermoplastic 3-Bolt Flanged Bracket, Eccentric Collar Lock, SHCTFB 200	25
Thermoplastic Take-Up Unit, Set Screw Lock, SUCTT 200.....	26
Thermoplastic Take-Up Unit, Eccentric Collar Lock, SHCTT 200	27
Stainless Steel Ball Bearing Insert, Set Screw Lock, SUC 200.....	28
Stainless Steel Ball Bearing Insert, Eccentric Collar Lock, SHC 200	29
PBT Covers for Thermoplastic Housings.....	30
Conversion Information	31

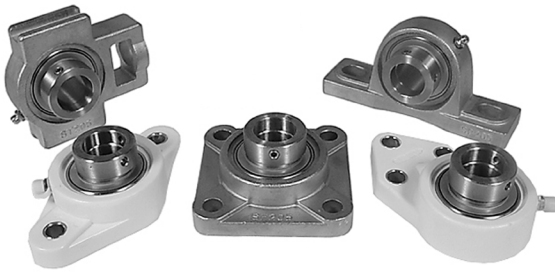
NSK MOUNTED UNITS - SOLUTIONS FOR ALL OF YOUR FOOD AND BEVERAGE NEEDS

NSK



NSK CORROSION RESISTANT MOUNTED BALL BEARINGS

NSK mounted ball bearings are designed for use in the food and beverage industry. These bearings feature stainless steel inserts that can be supplied in either white thermoplastic housings or stainless steel housings.



NSK bearings are offered in a wide variety of housing styles:

- › Pillow Block
- › 4-Bolt Flange
- › 2-Bolt Flange
- › 3-Bolt Flanged Bracket
- › Take-Up Unit

Inserts are offered with either set screw or eccentric collar mounting, and are available for use with shaft sizes ranging from 1/2" to 2 7/16" and 20mm to 60mm.



- Set Screw:
- › Wide Inner Ring (SUC)
 - › Narrow Inner Ring (SSB)



- Eccentric:
- › Wide Inner Ring (SHC)

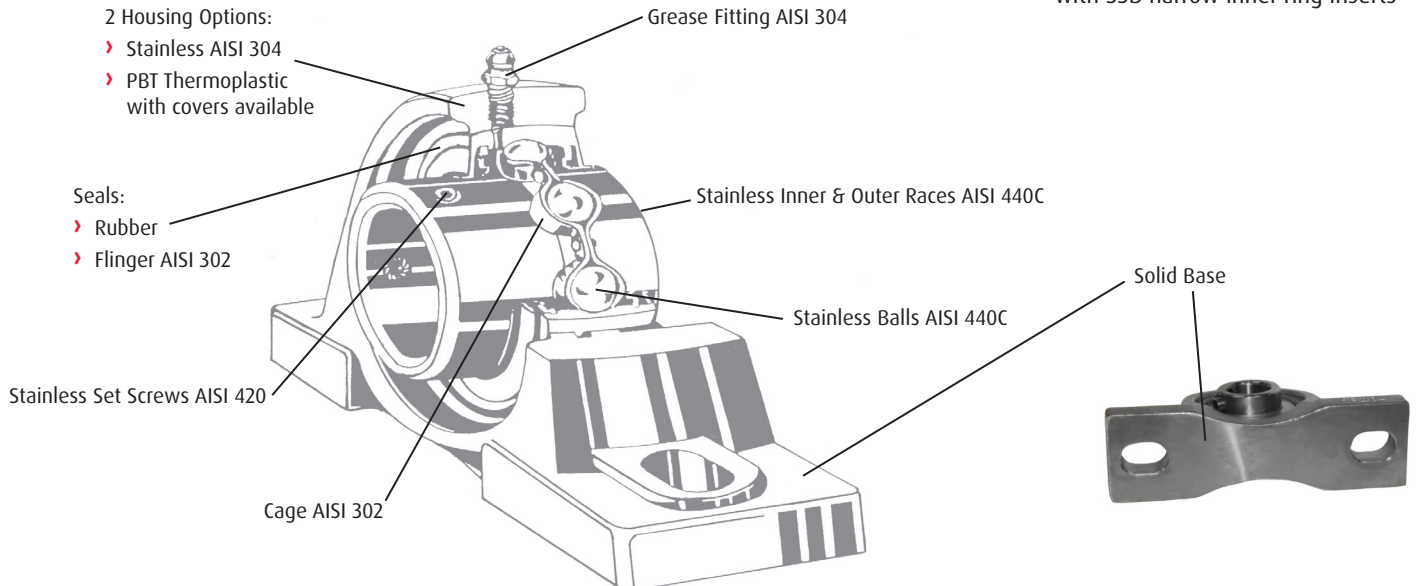
NSK bearings are lubricated with Mobil grease FM 222, a USDA approved NSF H1 food-grade lubricant that is suitable for incidental food contact. This grease has excellent moisture resistant properties and rust inhibitors to provide maximum protection during washdown. Normal operating temperatures are 10°F through 200°F (-10°C to +95° C). Special lubricants are available for extreme temperatures.



Bearing inserts include a harsh duty seal with a stainless steel flinger to keep moisture and contaminants out. End covers and back seals are available for use with thermoplastic housings.

End Covers and Flange Back Seal*

*Flange back seals can only be used with SSB narrow inner ring inserts



BALL BEARING SELECTION CRITERIA



LOAD AND SPEED

Corrosion resistant mounted ball bearings are typically used in applications that require light to moderate loads, and low to moderate speeds. For proper bearing selection, the value of the operating load and speed must be determined.

NSK mounted ball bearings have the ability to support both radial and thrust loads. A maximum thrust load value of 10% of the dynamic capacity of a given bearing is typically recommended. Consult NSK application engineering for technical support.

L₁₀ HOURS LIFE

NSK corrosion resistant ball bearings are typically selected using the L₁₀ method. This is the life that would be expected for at least 90% of a given sample of bearings under identical conditions. To determine the L₁₀ life, the following equation is used:

$$L_{10} = (C/P)^3 \times (16,667/\text{RPM})$$

Where:

- L₁₀ = Expected life, hours
- P = Equivalent radial load, lbs or N
- C = Dynamic capacity, lbs or N
- RPM = Speed, revolutions per minute

When a pure radial load is present, the equivalent radial load (P) is equal to the actual radial load. When thrust loading is present, the applied radial and thrust loads must be converted into an equivalent radial load using the following formula:

$$P = XF_R + YF_A$$

Where:

- P = Equivalent radial load, lbs or N
- e = Thrust load to radial load factor
- X = Radial load factor
- C₀ = Bearing static capacity, lbs or N
- F_R = Radial load, lbs or N
- Y = Thrust load factor
- F_A = Thrust load, lbs or N

To find X and Y, you must first calculate F_A/C₀ to determine e. Next, calculate F_A/F_R and compare to e to determine the appropriate X and Y factors.

$\frac{F_A}{C_0}$	E	RADIAL/THRUST FACTORS			
		IF F _A /F _R IS EQUAL TO OR LESS THAN E		IF F _A /F _R IS GREATER THAN E	
		F _A /F _R ≤ E		F _A /F _R > E	
		X	Y	X	Y
.014	.19	1	0	.56	2.30
.021	.21	1	0	.56	2.15
.028	.22	1	0	.56	1.99
.042	.24	1	0	.56	1.85
.056	.26	1	0	.56	1.71
.070	.27	1	0	.56	1.63
.084	.28	1	0	.56	1.55
.110	.30	1	0	.56	1.45
.170	.34	1	0	.56	1.31
.280	.38	1	0	.56	1.15
.420	.42	1	0	.56	1.04
.560	.44	1	0	.56	1.00

MISALIGNMENT

There are two types of misalignment. **Static**, which refers usually to a bearing alignment in a housing and **Dynamic**, which is usually a misalignment that can be handled within the bearing while operating. Aligned bearings run smoother, cooler, and quieter than misaligned units. Consequently, misaligned bearings will operate longer than hot running bearings. Single Row ball bearings in housings generally handle +/- 2% static misalignment but only slight dynamic misalignment. Spherical Roller bearings, as a comparison, can handle larger dynamic misalignments.

TEMPERATURE/LUBRICATION

Bearings that operate at higher temperatures may also experience a reduced life. There are no specific simple formulas to predict this, but a good understanding and experience of the application will help maximize bearing life. NSK Stainless Steel bearing inserts are lubricated with Mobil FM222 H1 Food Grade grease. A slight showing of grease purging from the seal area is optimal. When re-lubricating, small amounts of grease at frequent intervals is more desirable than large quantities infrequently. Re-lube when the bearing is rotating if possible. The normal operating temperatures for these bearings are 10°F to 200°F in a clean environment. Higher or lower operating temperatures will require the use of a special lube. Higher ambient temperatures require lube with special features and the bearing races should also be specially heat treated or "normalized" to improve their resistance to warping. Also, special seals, internal clearance and frequent lubrication (possibly daily) may be necessary. A bearing required to operate above 250°F will need to be de-rated in capacity. Load de-rated factors can be provided for elevated temperatures. Special seals, lubricant, and internal clearances can also be provided.

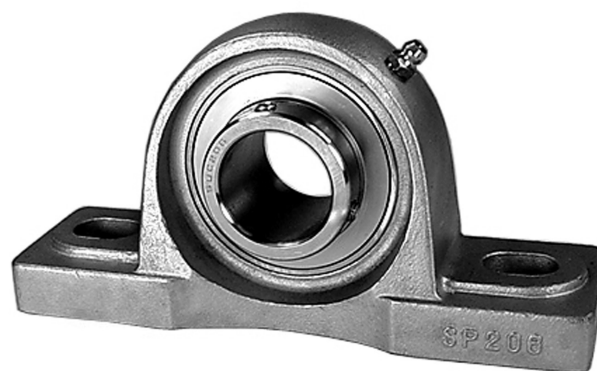
NOMENCLATURE & INTERCHANGE

NOMENCLATURE

S	UC	S	P	205	-16
INSERT	INSERT TYPE	HOUSING MATERIAL	HOUSING STYLE	INSERT RING SIZE	SHAFT SIZE in 16ths of an inch (or mm if followed by MM)
S: Stainless Steel	UC: Set Screw, Wide Inner Ring HC: Eccentric Collar, Wide Inner Ring SB: Set Screw, Narrow Inner Ring	S: Stainless Steel T: Thermoplastic	P: Pillow Block F: 4-Bolt Flange FL: 2-Bolt Flange FB: Flanged Bracket T: Take-Up Unit		

INTERCHANGE

HOUSING MATERIAL	HOUSING STYLE	NSK	AMI (STAINLESS INSERT)	SEALMASTER PN GOLD (PHOSPHOROUS NICKEL INSERT)	MRC MARATHON (STAINLESS INSERT)
STAINLESS STEEL HOUSING - SET SCREW MOUNTED INSERT	Pillow Block	SUCSP205-16	MUCP205-16	CRPS-PN16	SPB100SS
	4-Bolt Flange	SUCSF205-16	MUCF205-16	CRF-PN16	S4F100SS
	3-Bolt Flanged Bracket	SUCSFB205-16	MUCFB205-16	CRFB-PN16	—
	2-Bolt Flange	SUCSFL205-16	MUCFL205-16	CRFT-PN16	S2F100SS
	Take-Up Bearing	SUCST205-16	—	CRST-PN16	—
THERMOPLASTIC HOUSING - SET SCREW MOUNTED INSERT	Pillow Block	SUCTP205-16	MUCPPL205-16	—	CPB100SS
	4-Bolt Flange	SUCTF205-16	MUCFPL205-16	—	C4F100SS
	3-Bolt Flanged Bracket	SUCTFB205-16	MUCFBL205-16	—	CBF100SS
	2-Bolt Flange	SUCTFL205-16	MUCNFL205-16	—	C2F100SS
	Take-Up Bearing	SUCTT205-16	MUCTPL205-16	—	—



DODGE ULTRA KLEEN (STAINLESS INSERT)	FAFNIR SURVIVOR SERIES (TDC INSERT) *NICKEL PLATED HOUSING	LINK-BELT KLEAN-GARD (STAINLESS INSERT)	FYH (STAINLESS INSERT)	IPTCI (STAINLESS INSERT)	PEER (STAINLESS INSERT)	HOUSING MATERIAL
P2B-SCEZ-100-SHSS	YAS 1 NT	—	UCSP205-16H1S6	SUCSP205-16	SSUCP205-16	STAINLESS STEEL HOUSING - SET SCREW MOUNTED INSERT
F4B-SCEZ-100-SHSS	YCJ 1 NT	—	UCSF205-16H1S6	SUCSF205-16	SSUCF205-16	
FB-SCEZ-100-SHSS	—	—	—	SUCSFB205-16	SSUCFB205-16	
F2B-SCEZ-100-SHSS	YCJT 1 NT	—	UCSFL205-16H1S6	SUCSFL205-16	SSUCFT205-16	
—	YTU 1 NT	—	UCST205-16H1S6	SUCST205-16	SSUCT205-16	
P2B-SCEZ-100-PSS	YAS 1 PT	KP-SS216	—	SUCTP205-16	SUCP205-16-PBT	THERMOPLASTIC HOUSING - SET SCREW MOUNTED INSERT
F4B-SCEZ-100-PSS	YCJ 1 PT	KF-SS216	—	SUCTF205-16	SUCF205-16-PBT	
FB-SCEZ-100-PSS	—	KFB-SS216	—	SUCTFB205-16	SUCFB205-16-PBT	
F2B-SCEZ-100-PSS	YCJT 1 PT	KFX-SS216	—	SUCTFL205-16	SUCFT205-16-PBT	
—	—	—	—	—	SUCT205-16-PBT	

STAINLESS STEEL PILLOW BLOCK

SUCSP 200

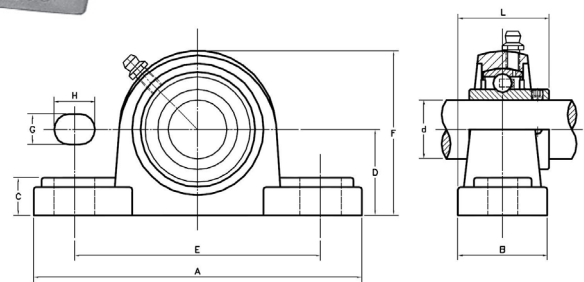
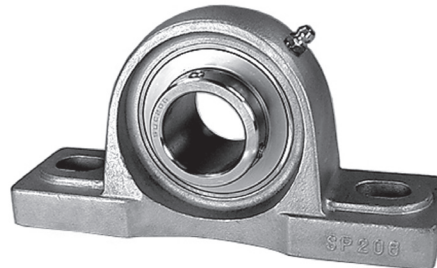
Stainless Steel Normal Duty Bearing Set Screw Lock, Solid Base Metric and Inch Bores

Housing:

- › AISI 304 Stainless, Solid Base
- › Grease Fitting: AISI 304

Bearing Insert:

- › Inner & Outer Race: AISI 440C Stainless
- › Cage & Set Screw: AISI 302 Stainless
- › Balls: AISI 440C Stainless
- › Seals: Rubber & AISI 302 Stainless
- › Grease: Mobil FM222, USDA H-1



PART NO.	SHAFT SIZE d		DIMENSIONS (MM) (IN)									BEARING NO.	HOUSING NO.	WT. KG
	MM	IN	A	B	C	D	E	F	G	H	L			
SUCSP201-8		1/2	126	38	15.1	33.3	95	65.1	11	17.5	37.3	SUC201-8	SP204	0.8
SUCSP202-10		5/8	4.96	1.5	0.59	1.312	3.74	2.56	0.43	0.69	1.47	SUC202-10		
SUCSP204-20MM	20		126	38	15.1	33.3	95	65.1	11	17.5	37.3	SUC204-20MM	SP204	0.8
SUCSP204-12		3/4	4.96	1.5	0.59	1.312	3.74	2.56	0.43	0.69	1.47	SUC204-12		
SUCSP205-25MM	25		140	38	16	36.5	105	70	12.9	17.9	38.8	SUC205-25MM	SP205	1
SUCSP205-14		7/8	5.51	1.5	0.63	1.437	4.13	2.76	0.51	0.7	1.53	SUC205-14		
SUCSP205-15		15/16										SUC205-15		
SUCSP205-16		1										SUC205-16		
SUCSP206-30MM	30		165	48	18	42.9	121	83	14.3	21	46.2	SUC206-30MM	SP206	1.6
SUCSP206-18		1 1/8	6.5	1.89	0.71	1.687	4.76	3.27	0.56	0.83	1.82	SUC206-18		
SUCSP206-19		1 3/16										SUC206-19		
SUCSP206-20		1 1/4										SUC206-20		
SUCSP207-35MM	35		167	48	19	47.6	127	94	14.3	22	49.4	SUC207-35MM	SP207	2
SUCSP207-20		1 1/4	6.57	1.89	0.75	1.875	5	3.7	0.56	0.87	1.94	SUC207-20		
SUCSP207-22		1 3/8										SUC207-22		
SUCSP207-23		1 7/16										SUC207-23		
SUCSP208-40MM	40		184	54	19	49.2	136.5	100	14.3	22	57.2	SUC208-40MM	SP208	2.5
SUCSP208-24		1 1/2	7.24	2.13	0.75	1.937	5.37	3.94	0.56	0.87	2.25	SUC208-24		
SUCSP209-45MM	45		190	54	20	54	146	109	15	21	57.2	SUC209-45MM	SP209	2.8
SUCSP209-27		1 11/16	7.48	2.13	0.79	2.125	5.75	4.29	0.59	0.83	2.25	SUC209-27		
SUCSP209-28		1 3/4										SUC209-28		
SUCSP210-50MM	50		206	60	22	57.2	159	114	18	24	62.5	SUC210-50MM	SP210	3.5
SUCSP210-31		1 15/16	8.11	2.36	0.87	2.25	6.26	4.49	0.71	0.94	2.46	SUC210-31		
SUCSP210-32		2										SUC210-32		
SUCSP211-55MM	55		219	60	23	63.5	171	126	20	25	69.7	SUC211-50MM	SP211	4
SUCSP211-32		2	8.62	2.36	0.91	2.5	6.73	4.96	0.79	0.98	2.74	SUC211-32		
SUCSP211-35		2 3/16										SUC211-35		
SUCSP212-60MM	60		241	70	25	69.8	184	138	20	25	79.5	SUC212-60MM	SP212	5.8
SUCSP212-39		2 7/16	9.50	2.76	0.98	2.75	7.24	5.43	0.79	0.98	3.13	SUC212-39		

Note: Larger sizes are available upon request.

STAINLESS STEEL PILLOW BLOCK SHCSP 200



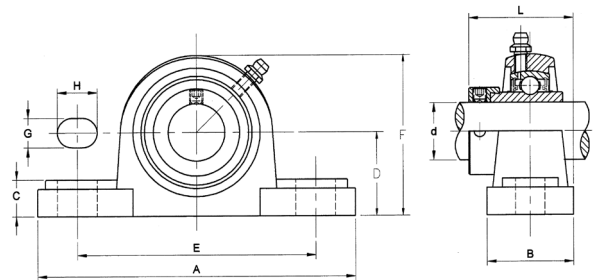
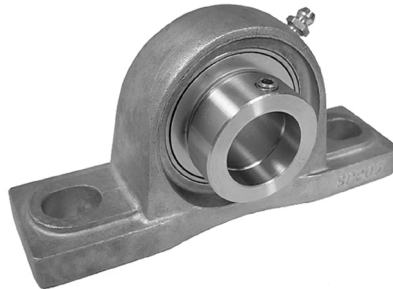
Stainless Steel Normal Duty Bearing Eccentric Lock Collar, Solid Base Metric and Inch Bores

Housing:

- › AISI 304 Stainless, Solid Base
- › Grease Fitting: AISI 304

Bearing Insert:

- › Inner & Outer Race: AISI 440C Stainless
- › Cage & Set Screw: AISI 302 Stainless
- › Balls: AISI 440C Stainless
- › Seals: Rubber & AISI 302 Stainless
- › Grease: Mobil FM222, USDA H-1
- › Collar: 304 Stainless



PART NO.	SHAFT SIZE d		DIMENSIONS (MM) (IN)									BEARING NO.	HOUSING NO.	WT. KG
	MM	IN	A	B	C	D	E	F	G	H	L			
SHCSP201-8		1/2	126	38	15.1	33.3	95	65.1	11	17.5	45.6	SHC201-8	SP204	0.8
SHCSP202-10		5/8	4.98	1.5	0.59	1.312	3.74	2.56	0.43	0.69	1.8	SHC202-10		
SHCSP204-20MM	20		126	38	15.1	33.3	95	65.1	11	17.5	45.6	SHC204-20MM	SP204	0.8
SHCSP204-12		3/4	4.98	1.5	0.59	1.312	3.74	2.56	0.43	0.69	1.8	SHC204-12		
SHCSP205-25MM	25		140	38	16	36.5	105	70	12.9	17.9	45.9	SHC205-25MM	SP205	1
SHCSP205-14		7/8	5.51	1.5	0.63	1.437	4.13	2.76	0.51	0.7	1.81	SHC205-14		
SHCSP205-15		15/16										SHC205-15		
SHCSP205-16		1										SHC205-16		
SHCSP206-30MM	30		165	48	18	42.9	121	83	14.3	21	54.1	SHC206-30MM	SP206	1.6
SHCSP206-18		1 1/8	6.5	1.89	0.71	1.687	4.76	3.27	0.56	0.83	2.13	SHC206-18		
SHCSP206-19		1 3/16										SHC206-19		
SHCSP206-20		1 1/4										SHC206-20		
SHCSP207-35MM	35		167	48	19	47.6	127	94	14.3	22	56.3	SHC207-35MM	SP207	2
SHCSP207-20		1 1/4	6.57	1.89	0.75	1.875	5	3.7	0.56	0.87	2.22	SHC207-20		
SHCSP207-22		1 3/8										SHC207-22		
SHCSP207-23		1 7/16										SHC207-23		
SHCSP208-40MM	40		184	54	19	49.2	136.5	100	14.3	22	61.9	SHC208-40MM	SP208	2.5
SHCSP208-24		1 1/2	7.24	2.13	0.75	1.937	5.37	3.94	0.56	0.86	2.44	SHC208-24		
SHCSP209-45MM	45		190	54	20	54	146	109	15	21	61.9	SHC209-45MM	SP209	2.8
SHCSP209-27		1 11/16	7.48	2.13	0.79	2.125	5.75	4.29	0.59	0.83	2.44	SHC209-27		
SHCSP209-28		1 3/4										SHC209-28		
SHCSP210-50MM	50		206	60	22	57.2	159	114	18	24	68.1	SHC210-50MM	SP210	3.5
SHCSP210-31		1 15/16	8.11	2.36	0.87	2.25	6.26	4.49	0.71	0.94	2.68	SHC210-31		
SHCSP210-32		2										SHC210-32		
SHCSP211-55MM	55		219	60	23	63.5	171	126	20	25	73.6	SHC211-50MM	SP211	4
SHCSP211-32		1 7/8	8.62	2.36	0.91	2.5	6.73	4.96	0.79	0.98	2.9	SHC211-32		
SHCSP211-35		2 3/16										SHC211-35		
SHCSP212-60MM	60		241	70	25	69.8	184	138	20	25	81.8	SHC212-60MM	SP212	5.8
SHCSP212-39		2 7/16	9.50	2.76	0.98	2.75	7.24	5.43	0.79	0.98	3.22	SHC212-39		

Note: Larger sizes are available upon request.

STAINLESS STEEL 4-BOLT FLANGE

SUCSF 200

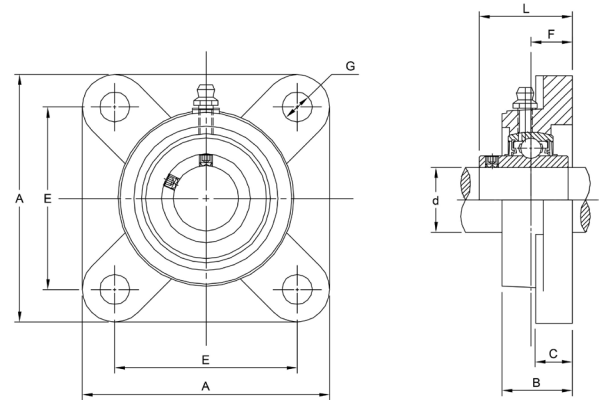
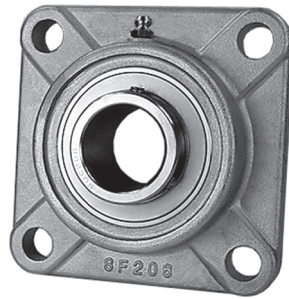
Stainless Steel Normal Duty Bearing Set Screw Lock, Solid Flange Metric and Inch Bores

Housing:

- › AISI 304 Stainless, Solid Base
- › Grease Fitting: AISI 304

Bearing Insert:

- › Inner & Outer Race: AISI 440C Stainless
- › Cage & Set Screw: AISI 302 Stainless
- › Balls: AISI 440C Stainless
- › Seals: Rubber & AISI 302 Stainless
- › Grease: Mobil FM222, USDA H-1



PART NO.	SHAFT SIZE d		DIMENSIONS (MM) (IN)							BEARING NO.	HOUSING NO.	WT. KG
	MM	IN	A	B	C	E	F	G	L			
SUCSF201-8		1/2	86	25.4	12	63.5	15.1	11	33.4	SUC201-8	SF204	0.8
SUCSF202-10		5/8	3.39	1.00	0.47	2.50	0.59	0.43	1.31	SUC202-10		
SUCSF204-20MM	20		86	25.4	12	63.5	15.1	11	33.4	SUC204-20MM	SF204	0.8
SUCSF204-12		3/4	3.39	1.00	0.47	2.50	0.59	0.43	1.31	SUC204-12		
SUCSF205-25MM	25		95	27	14	70	15.9	11.5	35.7	SUC205-25MM	SF205	1
SUCSF205-14		7/8	3.75	1.06	0.55	2.76	0.63	0.45	1.41	SUC205-14		
SUCSF205-15		15/16								SUC205-15		
SUCSF205-16		1								SUC205-16		
SUCSF206-30MM	30		108	30	14	82.5	17.9	13.1	40.1	SUC206-30MM	SF206	1.6
SUCSF206-18		1 1/8	4.25	1.18	0.55	3.25	0.70	0.52	1.58	SUC206-18		
SUCSF206-19		1 3/16								SUC206-19		
SUCSF206-20		1 1/4								SUC206-20		
SUCSF207-35MM	35		117.5	33	14.3	92	19.1	13.1	44.5	SUC207-35MM	SF207	2
SUCSF207-20		1 1/4	4.63	1.30	0.56	3.62	0.75	0.52	1.75	SUC207-20		
SUCSF207-22		1 3/8								SUC207-22		
SUCSF207-23		1 7/16								SUC207-23		
SUCSF208-40MM	40		130	36	14.3	101.6	21	14	51.2	SUC208-40MM	SF208	2.5
SUCSF208-24		1 1/2	5.12	1.42	0.56	4.00	0.83	0.55	2.02	SUC208-24		
SUCSF209-45MM	45		137	38	14.3	104.8	21.8	16	52	SUC209-45MM	SF209	2.8
SUCSF209-27		1 11/16	5.39	1.50	0.56	4.13	0.86	0.63	2.05	SUC209-27		
SUCSF209-28		1 3/4								SUC209-28		
SUCSF210-50MM	50		143	39	15.1	111	21.8	16	54.3	SUC210-50MM	SF210	3.5
SUCSF210-31		1 15/16	5.63	1.54	0.59	4.37	0.86	0.63	2.14	SUC210-31		
SUCSF210-32		2								SUC210-32		
SUCSF211-55MM	55		162	43	20.5	130	25	16	58.4	SUC211-55MM	SF211	4.5
SUCSF211-35		2 3/16	6.38	1.69	0.81	5.12	0.98	0.63	2.30	SUC211-35		
SUCSF212-60MM	60		175	48	20	143	29	19	68.7	SUC212-60MM	SF212	5.4
SUCSF212-39		2 7/16	6.89	1.89	0.79	5.63	1.14	0.75	2.70	SUC212-39		

Note: Larger sizes are available upon request.

STAINLESS STEEL 4-BOLT FLANGE

SHCSF 200



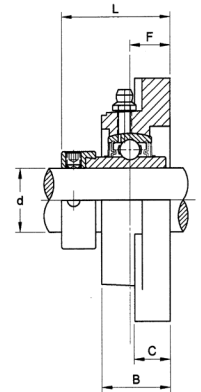
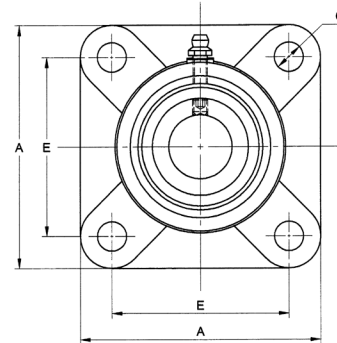
Stainless Steel Normal Duty Bearing Eccentric Lock Collar, Solid Flange Metric and Inch Bores

Housing:

- › AISI 304 Stainless, Solid Base
- › Grease Fitting: AISI 304

Bearing Insert:

- › Inner & Outer Race: AISI 440C Stainless
- › Cage & Set Screw: AISI 302 Stainless
- › Collar: AISI 304 Stainless
- › Balls: AISI 440C Stainless
- › Seals: Rubber & AISI 302 Stainless
- › Grease: Mobil FM222, USDA H-1



PART NO.	SHAFT SIZE d		DIMENSIONS (MM) (IN)							BEARING NO.	HOUSING NO.	WT. KG
	MM	IN	A	B	C	E	F	G	L			
SHCSF201-8		1/2	86	25.4	12	63.5	15.1	11	41.7	SHC201-8	SF204	0.8
SHCSF202-10		5/8	3.39	1.00	0.47	2.50	0.59	0.43	1.64	SHC202-10		
SHCSF204-20MM	20		86	25.4	12	63.5	15.1	11	41.7	SHC204-20MM	SF204	0.8
SHCSF204-12		3/4	3.39	1.00	0.47	2.50	0.59	0.43	1.64	SHC204-12		
SHCSF205-25MM	25		95	27	14	70	15.9	11.5	42.8	SHC205-25MM	SF205	1
SHCSF205-14		7/8	3.75	1.06	0.55	2.76	0.63	0.45	1.69	SHC205-14		
SHCSF205-15		15/16								SHC205-15		
SHCSF205-16		1								SHC205-16		
SHCSF206-30MM	30		108	30	14	82.5	17.9	13.1	48	SHC206-30MM	SF206	1.6
SHCSF206-18		1 1/8	4.25	1.18	0.55	3.25	0.70	0.52	1.89	SHC206-18		
SHCSF206-19		1 3/16								SHC206-19		
SHCSF206-20		1 1/4								SHC206-20		
SHCSF207-35MM	35		117.5	33	14.3	92	19.1	13.1	51.4	SHC207-35MM	SF207	2
SHCSF207-20		1 1/4	4.63	1.30	0.56	3.62	0.75	0.52	2.02	SHC207-20		
SHCSF207-22		1 3/8								SHC207-22		
SHCSF207-23		1 7/16								SHC207-23		
SHCSF208-40MM	40		130	36	14.3	101.6	21	14	55.9	SHC208-40MM	SF208	2.5
SHCSF208-24		1 1/2	5.12	1.42	0.56	4.00	0.83	0.55	2.20	SHC208-24		
SHCSF209-45MM	45		137	38	14.3	104.8	21.8	16	56.7	SHC209-45MM	SF209	2.8
SHCSF209-27		1 11/16	5.39	1.50	0.56	4.13	0.86	0.63	2.23	SHC209-27		
SHCSF209-28		1 3/4								SHC209-28		
SHCSF210-50MM	50		143	39	15.1	111	21.8	16	59.9	SHC210-50MM	SF210	3.5
SHCSF210-31		1 15/16	5.63	1.54	0.59	4.37	0.86	0.63	2.36	SHC210-31		
SHCSF210-32		2								SHC210-32		
SHCSF211-55MM	55		162	43	20.5	130	25	16	68.6	SHC211-55MM	SF211	4.5
SHCSF211-35		2 3/16	6.38	1.69	0.81	5.12	0.98	0.63	2.70	SHC211-35		
SHCSF212-60MM	60		175	48	20	143	29	19	75.8	SHC212-60MM	SF212	5.4
SHCSF212-39		2 7/16	6.89	1.89	0.79	5.63	1.14	0.75	2.98	SHC212-39		

Note: Larger sizes are available upon request.

STAINLESS STEEL 2-BOLT FLANGE

SUCSFL 200

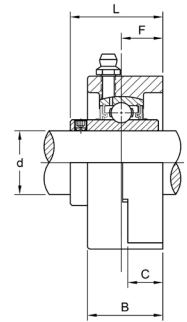
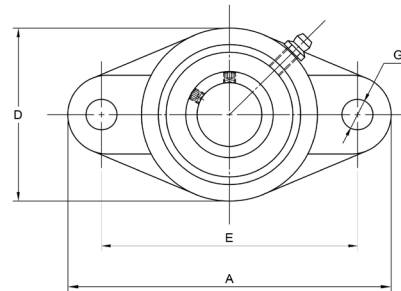
Stainless Steel Normal Duty Bearing Set Screw Lock, Solid Base Metric and Inch Bores

Housing:

- › AISI 304 Stainless, Solid Base
- › Grease Fitting: AISI 304

Bearing Insert:

- › Inner & Outer Race: AISI 440C Stainless
- › Cage & Set Screw: AISI 302 Stainless
- › Balls: AISI 440C Stainless
- › Seals: Rubber & AISI 302 Stainless
- › Grease: Mobil FM222, USDA H-1



PART NO.	SHAFT SIZE d		DIMENSIONS (MM) (IN)								BEARING NO.	HOUSING NO.	WT. KG
	MM	IN	A	B	C	D	E	F	G	L			
SUCSFL201-8		1/2	112	25.4	11.5	60	89.7	15.1	10	33.4	SUC201-8	SFL204	0.8
SUCSFL202-10		5/8	4.41	1.00	0.45	2.36	3.53	0.59	0.39	1.31	SUC202-10		
SUCSFL204-20MM	20		112	25.4	11.5	60	89.7	15.1	10	33.4	SUC204-20MM	SFL204	0.8
SUCSFL204-12		3/4	4.41	1.00	0.45	2.36	3.53	0.59	0.39	1.31	SUC204-12		
SUCSFL205-25MM	25		125	27	13	68	98.8	15.9	12	35.7	SUC205-25MM	SFL205	1
SUCSFL205-14		7/8	4.92	1.06	0.51	2.68	3.89	0.63	0.47	1.41	SUC205-14		
SUCSFL205-15		15/16									SUC205-15		
SUCSFL205-16		1									SUC205-16		
SUCSFL206-30MM	30		141	30	13	80	116.7	17.9	12	40.1	SUC206-30MM	SFL206	1.6
SUCSFL206-18		1 1/8	5.55	1.18	0.51	3.15	4.59	0.70	0.47	1.58	SUC206-18		
SUCSFL206-19		1 3/16									SUC206-19		
SUCSFL206-20		1 1/4									SUC206-20		
SUCSFL207-35MM	35										155.5	33	14.3
SUCSFL207-20		1 1/4	6.12	1.30	0.56	3.54	5.13	0.75	0.51	1.75	SUC207-20	SFL207	2
SUCSFL207-22		1 3/8									SUC207-22		
SUCSFL207-23		1 7/16									SUC207-23		
SUCSFL208-40MM	40										171.5		
SUCSFL208-24		1 1/2	6.75	1.42	0.56	3.94	5.66	0.83	0.51	2.02	SUC208-24	SFL208	2.5
SUCSFL209-45MM	45		179	38	14.3	108	148.4	21.8	15	52	SUC209-45MM	SFL209	2.8
SUCSFL209-27		1 11/16	7.05	1.50	0.56	4.25	5.84	0.86	0.59	2.05	SUC209-27		
SUCSFL209-28		1 3/4									SUC209-28		
SUCSFL210-50MM	50		179	39	15.1	115	157	21.8	15	54.4	SUC210-50MM	SFL210	3.5
SUCSFL210-31		1 15/16	7.05	1.54	0.59	4.53	6.18	0.86	0.59	2.14	SUC210-31	SFL211	4
SUCSFL210-32		2									SUC210-32		
SUCSFL211-55MM	55		223	43	18	129	184	25	19	58.4	SUC211-55MM		
SUCSFL211-32		2	8.78	1.69	0.71	5.08	7.25	0.98	0.75	2.30	SUC211-32	SFL211	4
SUCSFL211-35		2 3/16									SUC211-35		
SUCSFL212-60MM	60										248		
SUCSFL212-39		2 7/16	9.76	1.89	0.67	5.43	7.95	1.14	0.91	2.70	SUC212-39	SFL212	5.8

Note: Larger sizes are available upon request.

STAINLESS STEEL 2-BOLT FLANGE SHCSFL 200



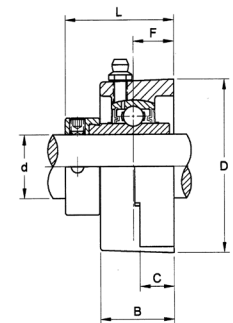
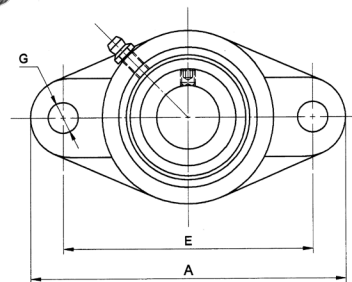
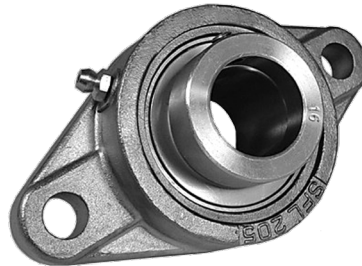
Stainless Steel Normal Duty Bearing Eccentric Lock Collar, Solid Base Metric and Inch Bores

Housing:

- › AISI 304 Stainless, Solid Base
- › Grease Fitting: AISI 304

Bearing Insert:

- › Inner & Outer Race: AISI 440C Stainless
- › Cage & Set Screw: AISI 302 Stainless
- › Balls: AISI 440C Stainless
- › Seals: Rubber & AISI 302 Stainless
- › Grease: Mobil FM222, USDA H-1
- › Collar: AISI 304 Stainless



PART NO.	SHAFT SIZE d		DIMENSIONS (MM) (IN)								BEARING NO.	HOUSING NO.	WT. KG
	MM	IN	A	B	C	D	E	F	G	L			
SHCSFL201-8		1/2	112	25.4	11.5	60	89.7	15.1	10	41.7	SHC201-8	SFL204 ⁽¹⁾	0.8
SHCSFL202-10		5/8	4.41	1.00	0.45	2.36	3.53	0.59	0.39	1.64	SHC202-10		
SHCSFL204-20MM	20		112	25.4	11.5	60	89.7	15.1	10	41.7	SHC204-20MM	SFL204 ⁽¹⁾	0.8
SHCSFL204-12		3/4	4.41	1.00	0.45	2.36	3.53	0.59	0.39	1.64	SHC204-12		
SHCSFL205-25MM	25		125	27	13	68	98.8	15.9	12	42.8	SHC205-25MM	SFL205	1
SHCSFL205-14		7/8	4.92	1.06	0.51	2.68	3.89	0.63	0.47	1.69	SHC205-14		
SHCSFL205-15		15/16									SHC205-15		
SHCSFL205-16		1									SHC205-16		
SHCSFL206-30MM	30		141	30	13	80	116.7	17.9	12	48	SHC206-30MM	SFL206	1.6
SHCSFL206-18		1 1/8	5.55	1.18	0.51	3.15	4.59	0.70	0.47	1.89	SHC206-18		
SHCSFL206-19		1 3/16									SHC206-19		
SHCSFL206-20		1 1/4									SHC206-20		
SHCSFL207-35MM	35										155.5	33	14.3
SHCSFL207-20		1 1/4	6.12	1.30	0.56	3.54	5.13	0.75	0.51	2.02	SHC207-20	SFL207 ⁽²⁾	2
SHCSFL207-22		1 3/8									SHC207-22		
SHCSFL207-23		1 7/16									SHC207-23		
SHCSFL208-40MM	40		171.5	36	14.3	100	143.7	21	13	55.9	SHC208-40MM	SFL208 ⁽²⁾	2.5
SHCSFL208-24		1 1/2	6.75	1.42	0.56	3.94	5.66	0.83	0.51	2.20	SHC208-24		
SHCSFL209-45MM	45		179	38	14.3	108	148.4	21.8	15	56.7	SHC209-45MM	SFL209	2.8
SHCSFL209-27		1 11/16	7.05	1.50	0.56	4.25	5.84	0.86	0.59	2.23	SHC209-27		
SHCSFL209-28		1 3/4									SHC209-28		
SHCSFL210-50MM	50		179	39	15.1	115	157	21.8	15	59.9	SHC210-50MM	SFL210	3.5
SHCSFL210-31		1 15/16	7.05	1.54	0.59	4.53	6.18	0.86	0.59	2.36	SHC210-31		
SHCSFL210-32		2									SHC210-32		
SHCSFL211-55MM	55		223	43	18	129	184	25	19	68.6	SHC211-55MM	SFL211	4
SHCSFL211-32		2	8.78	1.69	0.71	5.08	7.25	0.98	0.75	2.70	SHC211-32		
SHCSFL211-35		2 3/16									SHC211-35		
SHCSFL212-60MM	60		248	48	17	138	202	29	23	75.8	SHC212-60MM	SFL212	5.8
SHCSFL212-39		2 7/16	9.76	1.89	0.67	5.43	7.95	1.14	0.91	2.98	SHC212-39		

Note: (1) Housings available with 12mm holes. (2) Housings also available with 16mm holes.

STAINLESS STEEL 3-BOLT FLANGED BRACKET

SUCSFB 200

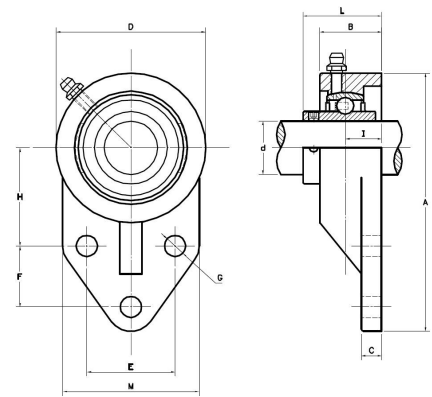
Stainless Steel Normal Duty Bearing Set Screw Lock, Solid Base Metric and Inch Bores

Housing:

- › AISI 304 Stainless, Solid Base
- › Grease Fitting: AISI 304

Bearing Insert:

- › Inner & Outer Race: AISI 440C Stainless
- › Cage & Set Screw: AISI 302 Stainless
- › Balls: AISI 440C Stainless
- › Seals: Rubber & AISI 302 Stainless
- › Grease: Mobil FM222, USDA H-1



PART NO.	SHAFT SIZE d		DIMENSIONS (MM) (IN)											BEARING NO.	HOUSING NO.	WT. KG
	MM	IN	A	B	C	D	E	F	G	H	I	L	M			
SUCSFB201-8		1/2	108	25.4	8	63	38.1	22.2	9.9	42.9	16	34.3	60	SUC201-8	SFB204	0.8
SUCSFB202-10		5/8	4.25	1.00	0.31	2.48	1.50	0.87	0.39	1.69	0.63	1.35	2.36	SUC202-10		
SUCSFB204-20MM	20		108	25.4	8	63	38.1	22.2	9.9	42.9	16	34.3	60	SUC204-20MM	SFB204	0.8
SUCSFB204-12		3/4	4.25	1.00	0.31	2.48	1.50	0.87	0.39	1.69	0.63	1.35	2.36	SUC204-12		
SUCSFB205-25MM	25		121	29	9.5	70	41.3	28.6	9.9	46	17	36.8	64	SUC205-25MM		
SUCSFB205-14		7/8												SUC205-14	SFB205	1
SUCSFB205-15		15/16	4.76	1.14	0.37	2.76	1.63	1.13	0.39	1.81	0.67	1.45	2.52	SUC205-15		
SUCSFB205-16		1												SUC205-16		
SUCSFB206-30MM	30		137	32	9.5	83	47.6	31.8	9.9	52.4	19	41.2	70	SUC206-30MM		
SUCSFB206-18		1 1/8												SUC206-18	SFB206	1.6
SUCSFB206-19		1 3/16	5.39	1.26	0.37	3.27	1.87	1.25	0.39	2.06	0.75	1.62	2.76	SUC206-19		
SUCSFB206-20		1 1/4												SUC206-20		
SUCSFB207-35MM	35		156	37	13.5	95	50.8	31.8	13.1	60.3	21	46.4	82.5	SUC207-35MM		
SUCSFB207-20		1 1/4												SUC207-20	SFB207	2
SUCSFB207-22		1 3/8	6.14	1.45	0.53	3.74	2.00	1.25	0.52	2.37	0.83	1.83	3.25	SUC207-22		
SUCSFB207-23		1 7/16												SUC207-23		
SUCSFB208-40MM	40		164	34	16	100	50.8	41	11.1	60	21	51.2	78	SUC208-40MM	SFB208	2.5
SUCSFB208-24		1 1/2	6.46	1.34	0.63	3.94	2.00	1.61	0.44	2.36	0.83	2.02	3.07	SUC208-24		
SUCSFB209-45MM	45		174	34	18	106	54	42.9	11.1	65	21	51.2	80	SUC209-45MM		
SUCSFB209-27		1 11/16												SUC209-27	SFB209	2.8
SUCSFB209-28		1 3/4	6.85	1.34	0.71	4.17	2.13	1.69	0.44	2.56	0.83	2.02	3.15	SUC209-28		
SUCSFB210-50MM	50		191	38	13	118	69.9	41.3	13.1	74.6	21	53.6	102	SUC210-50MM		
SUCSFB210-31		1 15/16												SUC210-31	SFB210	3.5
SUCSFB210-32		2	7.52	1.50	0.51	4.65	2.75	1.63	0.52	2.94	0.83	2.11	4.02	SUC210-32		

STAINLESS STEEL 3-BOLT FLANGED BRACKET SHCSFB 200



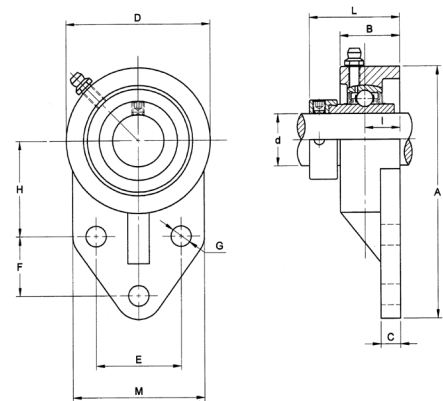
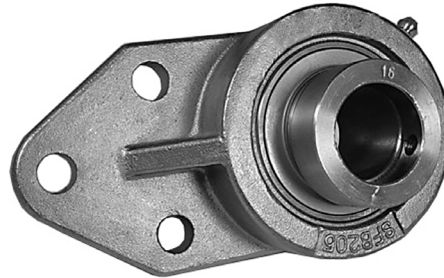
Stainless Steel Normal Duty Bearing Eccentric Lock Collar, Solid Base Metric and Inch Bores

Housing:

- › AISI 304 Stainless, Solid Base
- › Grease Fitting: AISI 304

Bearing Insert:

- › Inner & Outer Race: AISI 440C Stainless
- › Cage & Set Screw: AISI 302 Stainless
- › Balls: AISI 440C Stainless
- › Seals: Rubber & AISI 302 Stainless
- › Grease: Mobil FM222, USDA H-1
- › Collar: AISI 304 Stainless



PART NO.	SHAFT SIZE d		DIMENSIONS (MM) (IN)											BEARING NO.	HOUSING NO.	WT. KG
	MM	IN	A	B	C	D	E	F	G	H	I	L	M			
SHCSFB201-8		1/2	108	25.4	8	63	38.1	22.2	9.9	42.9	16	42.6	60	SHC201-8	SFB204	0.8
SHCSFB202-10		5/8	4.25	1.00	0.31	2.48	1.50	0.87	0.39	1.69	0.63	1.68	2.36	SHC202-10		
SHCSFB204-20MM	20		108	25.4	8	63	38.1	22.2	9.9	42.9	16	42.6	60	SHC204-20MM	SFB204	0.8
SHCSFB204-12		3/4	4.25	1.00	0.31	2.48	1.50	0.87	0.39	1.69	0.63	1.68	2.36	SHC204-12	SFB205	1
SHCSFB205-25MM	25		121	29	9.5	70	41.3	28.6	9.9	46	17	43.9	64	SHC205-25MM		
SHCSFB205-14		7/8	4.76	1.14	0.37	2.76	1.63	1.13	0.39	1.81	0.67	1.73	2.52	SHC205-14		
SHCSFB205-15		15/16												SHC205-15		
SHCSFB205-16		1												SHC205-16		
SHCSFB206-30MM	30		137	32	9.5	83	47.6	31.8	9.9	52.4	19	49.1	70	SHC206-30MM	SFB206	1.6
SHCSFB206-18		1 1/8	5.39	1.26	0.37	3.27	1.87	1.25	0.39	2.06	0.75	1.93	2.76	SHC206-18		
SHCSFB206-19		1 3/16												SHC206-19		
SHCSFB206-20		1 1/4												SHC206-20		
SHCSFB207-35MM	35		156	37	13.5	95	50.8	31.8	13.1	60.3	21	53.3	82.5	SHC207-35MM	SFB207	2
SHCSFB207-20		1 1/4	6.14	1.45	0.53	3.74	2.00	1.25	0.52	2.37	0.83	2.10	3.25	SHC207-20		
SHCSFB207-22		1 3/8												SHC207-22		
SHCSFB207-23		1 7/16												SHC207-23		
SHCSFB208-40MM	40		164	34	16	100	50.8	41	11.1	60	21	55.9	78	SHC208-40MM	SFB208	2.5
SHCSFB208-24		1 1/2	6.46	1.34	0.63	3.94	2.00	1.61	0.44	2.36	0.83	2.20	3.07	SHC208-24	SFB209	2.8
SHCSFB209-45MM	45		174	34	18	106	54	42.9	11.1	65	21	55.9	80	SHC209-45MM		
SHCSFB209-27		1 11/16	6.85	1.34	0.71	4.17	2.13	1.69	0.44	2.56	0.83	2.2	3.15	SHC209-27		
SHCSFB209-28		1 3/4												SHC209-28		
SHCSFB210-50MM	50		191	38	13	118	69.9	41.3	13.1	74.6	21	59.1	102	SHC210-50MM	SFB210	3.5
SHCSFB210-31		1 15/16	7.52	1.50	0.51	4.65	2.75	1.63	0.52	2.94	0.83	2.33	4.02	SHC210-31		
SHCSFB210-32		2												SHC210-32		

STAINLESS STEEL TAKE-UP UNIT

SUCST 200

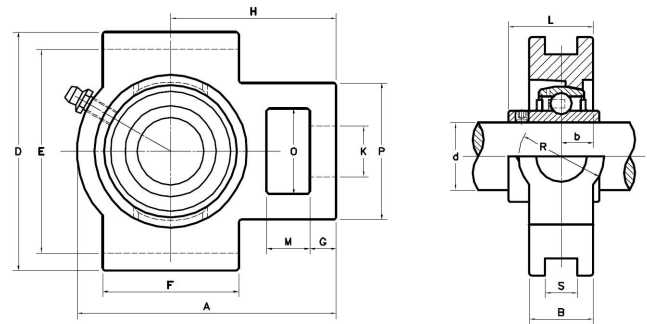
Stainless Steel Normal Duty Bearing Set Screw Lock Metric and Inch Bores

Housing:

- › AISI 304 Stainless
- › Grease Fitting: AISI 304

Bearing Insert:

- › Inner & Outer Race: AISI 440C Stainless
- › Cage & Set Screw: AISI 302 Stainless
- › Balls: AISI 440C Stainless
- › Seals: Rubber & AISI 302 Stainless
- › Grease: Mobil FM222, USDA H-1



PART NO.	SHAFT SIZE d		DIMENSIONS (MM) (IN)														BEARING NO.	HOUSING NO.	WT. KG	
	MM	IN	A	B	B	D	E	F	G	H	K	L	M	O	P	R				S
SUCST201-8		1/2	94	21	10.5	89	76	51	10	61	19	28.7	16	32	51	32	12	SUC201-8	ST204	1
SUCST202-10		5/8	3.70	0.83	0.41	3.50	2.99	2.01	0.39	2.40	0.75	1.13	0.63	1.26	2.01	1.26	0.47	SUC202-10		
SUCST204-20MM	20		94	21	10.5	89	76	51	10	61	19	28.75	16	32	51	32	12	SUC204-20MM	ST204	1
SUCST204-12		3/4	3.70	0.83	0.41	3.50	2.99	2.01	0.39	2.40	0.75	1.13	0.63	1.26	2.01	1.26	0.47	SUC204-12		
SUCST205-25MM	25		97	24	12	89	76	51	10	62	19	31.78	16	32	51	32	12	SUC205-25MM	ST205	1.2
SUCST205-14		7/8	3.82	0.94	0.47	3.50	2.99	2.01	0.39	2.44	0.75	1.25	0.63	1.26	2.01	1.26	0.47	SUC205-14		
SUCST205-15		15/16																SUC205-15		
SUCST205-16		1																SUC205-16		
SUCST206-30MM	30		113	28	14	102	89	57	10	70	22	36.17	16	37	56	37	12	SUC206-30MM	ST206	1.8
SUCST206-18		1 1/8	4.45	1.10	0.55	4.02	3.50	2.24	0.39	2.76	0.87	1.42	0.63	1.46	2.20	1.46	0.47	SUC206-18		
SUCST206-19		1 3/16																SUC206-19		
SUCST206-20		1 1/4																SUC206-20		
SUCST207-35MM	35		129	30	15	102	89	64	13	78	22	40.37	16	37	64	37	12	SUC207-35MM	ST207	2.2
SUCST207-20		1 1/4	5.08	1.18	0.59	4.02	3.50	2.52	0.51	3.07	0.87	1.59	0.63	1.46	2.52	1.46	0.47	SUC207-20		
SUCST207-22		1 3/8																SUC207-22		
SUCST207-23		1 7/16																SUC207-23		
SUCST208-40MM	40																	144	33	16.5
SUCST208-24		1 1/2	5.67	1.30	0.65	4.49	4.02	3.27	0.63	3.46	1.14	1.83	0.75	1.93	3.27	1.93	0.63	SUC208-24		

STAINLESS STEEL TAKE-UP UNIT SHCST 200



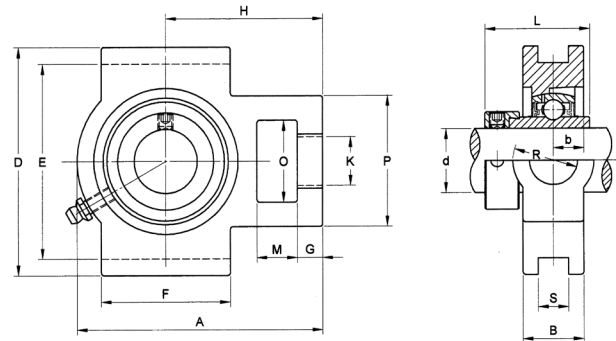
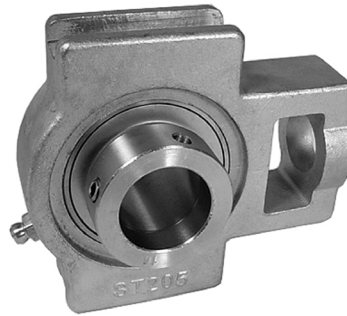
Stainless Steel Normal Duty Bearing Eccentric Lock Collar Metric and Inch Bores

Housing:

- › AISI 304 Stainless
- › Grease Fitting: AISI 304

Bearing Insert:

- › Inner & Outer Race: AISI 440C Stainless
- › Cage & Set Screw: AISI 302 Stainless
- › Balls: AISI 440C Stainless
- › Seals: Rubber & AISI 302 Stainless
- › Grease: Mobil FM222, USDA H-1
- › Collar: AISI 304 Stainless



PART NO.	SHAFT SIZE d		DIMENSIONS (MM) (IN)														BEARING NO.	HOUSING NO.	WT. KG	
	MM	IN	A	B	B	D	E	F	G	H	K	L	M	O	P	R				S
SHCST201-8		1/2	94	21	10.5	89	76	51	10	61	19	37.1	16	32	51	32	12	SHC201-8	ST204	1
SHCST202-10		5/8	3.70	0.83	0.41	3.50	2.99	2.01	0.39	2.40	0.75	1.13	0.63	1.26	2.01	1.26	0.47	SHC202-10		
SHCST204-20MM	20		94	21	10.5	89	76	51	10	61	19	37.1	16	32	51	32	12	SHC204-20MM	ST204	1
SHCST204-12		3/4	3.70	0.83	0.41	3.50	2.99	2.01	0.39	2.40	0.75	1.13	0.63	1.26	2.01	1.26	0.47	SHC204-12		
SHCST205-25MM	25		97	24	12	89	76	51	10	62	19	3.89	16	32	51	32	12	SHC205-25MM		
SHCST205-14		7/8																SHC205-14	ST205	1.2
SHCST205-15		15/16	3.82	0.94	0.47	3.50	2.99	2.01	0.39	2.44	0.75	0.153	0.63	1.26	2.01	1.26	0.47	SHC205-15		
SHCST205-16		1																SHC205-16		
SHCST206-30MM	30		113	28	14	102	89	57	10	70	22	44.1	16	37	56	37	12	SHC206-30MM	ST206	1.8
SHCST206-18		1 1/8																SHC206-18		
SHCST206-19		1 3/16	4.45	1.10	0.55	4.02	3.50	2.24	0.39	2.76	0.87	1.74	0.63	1.46	2.20	1.46	0.47	SHC206-19		
SHCST206-20		1 1/4																SHC206-20		
SHCST207-35MM	35		129	30	15	102	89	64	13	78	22	47.3	16	37	64	37	12	SHC207-35MM	ST207	2.2
SHCST207-20		1 1/4																SHC207-20		
SHCST207-22		1 3/8	5.08	1.18	0.59	4.02	3.50	2.52	0.51	3.07	0.87	1.86	0.63	1.46	2.52	1.46	0.47	SHC207-22		
SHCST207-23		1 7/16																SHC207-23		
SHCST208-40MM	40		144	33	16.5	114	102	83	16	88	29	51.4	19	49	83	49	16	SHC208-40MM	ST208	2.7
SHCST208-24		1 1/2	5.67	1.30	0.65	4.49	4.02	3.27	0.63	3.46	1.14	2.02	0.75	1.93	3.27	1.93	0.63	SHC208-24		

THERMOPLASTIC PILLOW BLOCK

SUCTP 200

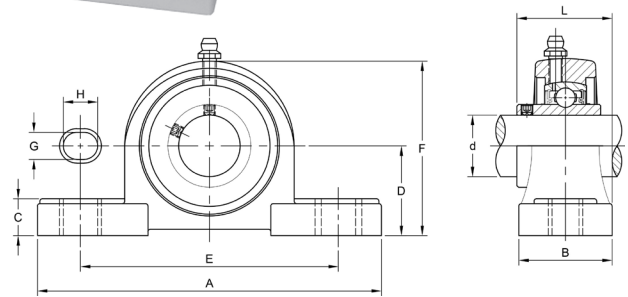
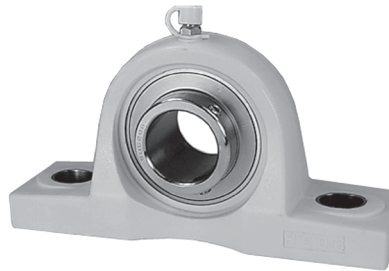
Stainless Steel Normal Duty Bearing PBT White Thermoplastic Housing Set Screw Lock, Solid Base Metric and Inch Bores

Housing:

- › Material: Reinforced PBT (polybutylene terephthalate)
- › Working Temperatures: -10°F to 210°F
- › Interchanges with standard housing dimensions
- › Sleeves and bushings are stainless steel
- › Solid base, smooth housing designed for washdown
- › Excellent chemical resistance
- › Grease Fitting: AISI 304

Bearing Insert:

- › Inner & Outer Race: AISI 440C Stainless
- › Cage & Set Screw: AISI 302 Stainless
- › Balls: AISI 440C Stainless
- › Seals: Rubber & AISI 302 Stainless
- › Grease: Mobil FM222 USDA H-1
- › End covers available from stock



PART NO.	SHAFT SIZE d		DIMENSIONS (MM) (IN)									BEARING NO.	HOUSING NO.	WT. KG
	MM	IN	A	B	C	D	E	F	G	H	L			
SUCTP201-8		1/2	127	38	14.2	33.3	95	65	11	14	37.3	SUC201-8	TP204	0.3
SUCTP202-10		5/8	5.00	1.50	0.56	1.312	3.74	2.56	0.43	0.55	1.47	SUC202-10		
SUCTP204-20MM	20		127	38	14.2	33.3	95	65	11	14	1.47	SUC204-20MM	TP204	0.3
SUCTP204-12		3/4	5.00	1.50	0.56	1.312	3.74	2.56	0.43	0.55	1.46	SUC204-12		
SUCTP205-25MM	25		140	38	14.5	36.5	105	71	11	14	38.8	SUC205-25MM	TP205	0.4
SUCTP205-14		7/8										SUC205-14		
SUCTP205-15		15/16	5.51	1.50	0.57	1.437	4.13	2.80	0.43	0.55	1.53	SUC205-15	TP205A*	0.4
SUCTP205-16		1										SUC205-16		
SUCTP206-30MM	30		162	46	17.8	42.9	119	83	14	18	45.2	SUC206-30MM	TP206	0.7
SUCTP206-18		1 1/8										SUC206-18		
SUCTP206-19		1 3/16	6.38	1.81	0.7	1.687	4.69	3.27	0.55	0.71	1.78	SUC206-19		
SUCTP206-20		1 1/4										SUC206-20		
SUCTP207-35MM	35		167	48	18	47.6	127	94	14	18	49.4	SUC207-35MM	TP207	0.9
SUCTP207-20		1 1/4										SUC207-20		
SUCTP207-22		1 3/8	6.57	1.89	0.71	1.875	5.00	3.70	0.55	0.71	1.94	SUC207-22		
SUCTP207-23		1 7/16										SUC207-23		
SUCTP208-40MM	40		184	54	19.5	49.2	137	98	14	18	57.2	SUC208-40MM	TP208	1.1
SUCTP208-24		1 1/2	7.24	2.13	0.77	1.937	5.39	3.85	0.55	0.71	2.25	SUC208-24		
SUCTP209-45MM	45		192	54	23	54	146	106	17	20	57.2	SUC209-45MM	TP209	1.3
SUCTP209-27		1 11/16	7.56	2.13	0.91	2.125	5.75	4.17	0.67	0.79	2.25	SUC209-27		
SUCTP209-28		1 3/4										SUC209-28		
SUCTP210-50MM	50		206	60	23	57.2	159	114	17	20	62.6	SUC210-50MM	TP210	1.5
SUCTP210-31		1 15/16	8.11	2.36	0.91	2.25	6.26	4.49	0.67	0.79	2.46	SUC210-31		
SUCTP210-32		2										SUC210-32		
SUCTP211-55MM	55		219	60	23	63.5	171	126	17	20	93.4	SUC211-55MM	TP211	1.9
SUCTP211-32		2	8.62	2.36	0.91	2.5	6.73	4.96	0.67	0.79	3.68	SUC211-32		
SUCTP211-35		2 3/16										SUC211-35		
SUCTP212-60MM	60		241	70	28	69.8	184	138	17	20	109.7	SUC212-60MM	TP212	2.6
SUCTP212-39		2 7/16	9.49	2.76	1.10	2.75	7.24	5.43	0.67	0.79	4.32	SUC212-39		

Note: Larger sizes are available upon request. *TP205A lube fitting at 45°.

THERMOPLASTIC PILLOW BLOCK

SHCTP 200



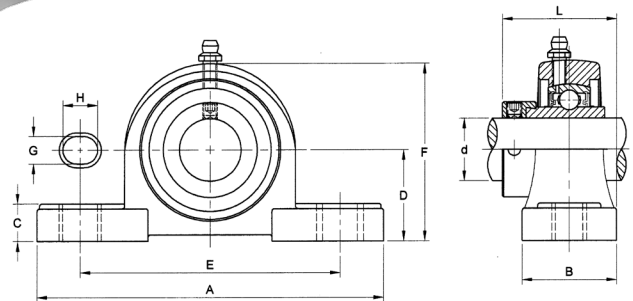
Stainless Steel Normal Duty Bearing PBT White Thermoplastic Housing Eccentric Lock Collar, Solid Base Metric and Inch Bores

Housing:

- › Material: Reinforced PBT (polybutylene terephthalate)
- › Working Temperatures: -10°F to 210°F
- › Interchanges with standard housing dimensions
- › Sleeves and bushings are stainless steel
- › Solid base, smooth housing designed for washdown
- › Excellent chemical resistance
- › Grease Fitting: AISI 304

Bearing Insert:

- › Inner & Outer Race: AISI 440C Stainless
- › Cage & Set Screw: AISI 302 Stainless
- › Collar: AISI 304 Stainless
- › Balls: AISI 440C Stainless
- › Seals: Rubber & AISI 302 Stainless
- › Grease: Mobil FM222 USDA H-1
- › End covers available from stock



PART NO.	SHAFT SIZE d		DIMENSIONS (MM) (IN)									BEARING NO.	HOUSING NO.	WT. KG
	MM	IN	A	B	C	D	E	F	G	H	L			
SHCTP201-8		1/2	127	38	14.2	33.3	95	65	11	14	45.6	SHC201-8	TP204	0.3
SHCTP202-10		5/8	5	1.5	0.56	1.312	3.74	2.56	0.43	0.55	1.8	SHC202-10		
SHCTP204-20MM	20		127	38	14.2	33.3	95	65	11	14	45.6	SHC204-20MM	TP204	0.3
SHCTP204-12		3/4	5	1.5	0.56	1.312	3.74	2.56	0.43	0.55	1.8	SHC204-12	TP205	0.4
SHCTP205-25MM	25		140	38	14.5	36.5	105	71	11	14	45.9	SHC205-25MM		
SHCTP205-14		7/8	5.51	1.5	0.57	1.437	4.13	2.8	0.43	0.55	1.81	SHC205-14		
SHCTP205-15		15/16										SHC205-15		
SHCTP205-16		1										SHC205-16		
SHCTP206-30MM	30		162	46	17.8	42.9	119	83	14	18	53.1	SHC206-30MM	TP206	0.7
SHCTP206-18		1 1/8	6.38	1.81	0.7	1.687	4.69	3.27	0.55	0.71	2.09	SHC206-18		
SHCTP206-19		1 3/16										SHC206-19		
SHCTP206-20		1 1/4										SHC206-20		
SHCTP207-35MM	35		167	48	18	47.6	127	94	14	18	56.3	SHC207-35MM	TP207	0.9
SHCTP207-20		1 1/4	6.57	1.89	0.71	1.875	5	3.7	0.55	0.71	2.22	SHC207-20		
SHCTP207-22		1 3/8										SHC207-22		
SHCTP207-23		1 7/16										SHC207-23		
SHCTP208-40MM	40		184	54	19.5	49.2	137	98	14	18	61.9	SHC208-40MM	TP208	1.1
SHCTP208-24		1 1/2	7.24	2.13	0.77	1.937	5.39	3.86	0.55	0.71	2.44	SHC208-24	TP209	1.3
SHCTP209-45MM	45		192	54	23	54	146	106	17	20	61.9	SHC209-45MM		
SHCTP209-27		1 11/16	7.56	2.13	0.91	2.125	5.75	4.17	0.67	0.79	2.25	SHC209-27		
SHCTP209-28		1 3/4	7.56	2.13	0.91	2.125	5.75	4.17	0.67	0.79	2.44	SHC209-28		
SHCTP210-50MM	50		206	60	23	57.2	159	114	17	20	68.1	SHC210-50MM	TP210	1.5
SHCTP210-31		1 15/16	8.11	2.36	0.91	2.25	6.26	4.49	0.67	0.79	2.68	SHC210-31		
SHCTP210-32		2										SHC210-32		
SHCTP211-55MM	55		219	60	23	63.5	171	126	17	20	73.6	SHC211-55MM	TP211	1.9
SHCTP211-32		2	8.62	2.36	0.91	2.5	6.73	4.96	0.67	0.79	2.9	SHC211-32		
SHCTP211-35		2 3/16										SHC211-35		
SHCTP212-60MM	60		241	70	28	69.8	184	138	17	20	81.8	SHC212-60MM	TP212	2.6
SHCTP212-39		2 7/16	9.49	2.76	1.1	2.75	7.24	5.43	0.67	0.79	3.22	SHC212-39		

Note: Larger sizes are available upon request. *TP205A lube fitting at 45°.

THERMOPLASTIC 4-BOLT FLANGE

SUCTF 200

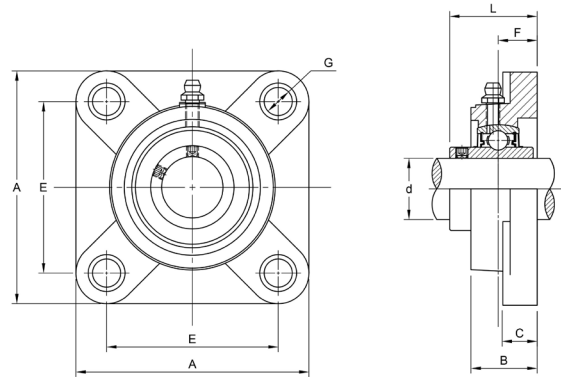
**Stainless Steel Normal Duty Bearing
PBT Thermoplastic Housing
Set Screw Lock, Solid Base
Metric and Inch Bores**

Housing:

- › Material: Reinforced PBT (polybutylene terephthalate)
- › Working Temperatures: -10°F to 210°F
- › Interchanges with standard housing dimensions
- › Sleeves and bushings are stainless steel
- › Solid base, smooth housing designed for washdown
- › Excellent chemical resistance
- › Grease Fitting: AISI 304

Bearing Insert:

- › Inner & Outer Race: AISI 440C Stainless
- › Cage & Set Screw: AISI 302 Stainless
- › Balls: AISI 440C Stainless
- › Seals: Rubber & AISI 302 Stainless
- › Grease: Mobil FM222 USDA H-1
- › End covers and back covers available from stock



PART NO.	SHAFT SIZE d		DIMENSIONS (MM) (IN)							BEARING NO.	HOUSING NO.	WT. KG
	MM	IN	A	B	C	E	F	G	L			
SUCTF201-8		1/2	86	27.8	13.4	63.5	18	11	36.3	SUC201-8	TF204	0.3
SUCTF202-10		5/8	3.38	1.09	0.5	2.5	0.71	0.47	1.43	SUC202-10		
SUCTF204-20MM	20		86	27.8	13.4	63.5	18	11	36.3	SUC204-20MM	TF204	0.3
SUCTF204-12		3/4	3.38	1.09	0.5	2.5	0.71	0.47	1.43	SUC204-12		
SUCTF205-25MM	25		95	28	14	70	17	11	36.8	SUC205-25MM	TF205	0.4
SUCTF205-14		7/8	3.75	1.1	0.55	2.75	0.67	0.47	1.45	SUC205-14		
SUCTF205-15		15/16								SUC205-15		
SUCTF205-16		1								SUC205-16		
SUCTF206-30MM	30		107	31.5	14.3	83	19.2	11	41.4	SUC206-30MM	TF206	0.7
SUCTF206-18		1 1/8	4.21	1.24	0.56	3.25	0.76	0.47	1.63	SUC206-18		
SUCTF206-19		1 3/16								SUC206-19		
SUCTF206-20		1 1/4								SUC206-20		
SUCTF207-35MM	35		118	34.8	15.5	92	21.5	13	46.9	SUC207-35MM	TF207	0.9
SUCTF207-20		1 1/4	4.65	1.37	0.61	3.63	0.85	0.55	1.85	SUC207-20		
SUCTF207-22		1 3/8								SUC207-22		
SUCTF207-23		1 7/16								SUC207-23		
SUCTF208-40MM	40		130	37.5	17	102	23	14	53.2	SUC208-40MM	TF208	1.1
SUCTF208-24		1 1/2	5.12	1.47	0.67	4	0.91	0.63	2.09	SUC208-24		
SUCTF209-45MM	45		137	41	19	105	24	16.5	54.2	SUC209-45MM	TF209	1.3
SUCTF209-27		1 11/16	5.39	1.61	0.75	4.13	0.95	0.65	2.13	SUC209-27		
SUCTF209-28		1 3/4								SUC209-28		
SUCTF210-50MM	50		143	43	21	111	25	16.5	57.6	SUC210-50MM	TF210	1.5
SUCTF210-31		1 15/16	5.63	1.69	0.83	4.37	0.98	0.65	2.27	SUC210-31		
SUCTF210-32		2								SUC210-32		
SUCTF211-55MM	55		162	43	18	130	25	16.5	58.4	SUC211-55MM	TF211	2.1
SUCTF211-32		2 3/16	6.3	1.69	0.71	5.12	0.98	0.65	2.30	SUC211-32		
SUCTF211-35										SUC211-35		
SUCTF212-60MM	60		175	48	18	143	29	19	68.7	SUC212-60MM	TF212	2.5
SUCTF212-39		2 7/16	6.89	1.89	0.71	5.63	1.14	0.75	2.70	SUC212-39		

Note: Other sizes are available upon request.

THERMOPLASTIC 4-BOLT FLANGE

SHCTF 200



Stainless Steel Normal Duty Bearing PBT Thermoplastic Housing Eccentric Lock Collar, Solid Base Metric and Inch Bores

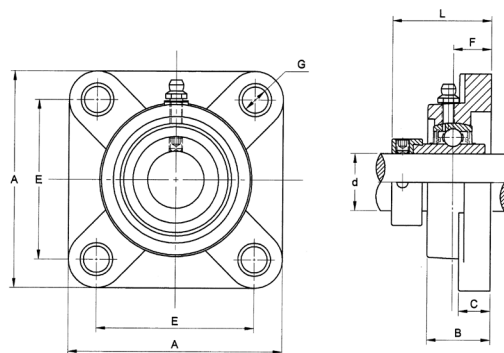


Housing:

- › Material: Reinforced PBT (polybutylene terephthalate)
- › Working Temperatures: -10°F to 210°F
- › Interchanges with standard housing dimensions
- › Sleeves and bushings are stainless steel
- › Solid base, smooth housing designed for washdown
- › Excellent chemical resistance
- › Grease Fitting: AISI 304

Bearing Insert:

- › Inner & Outer Race: AISI 440C Stainless
- › Cage & Set Screw: AISI 302 Stainless
- › Collar: AISI 304 Stainless
- › Balls: AISI 440C Stainless
- › Seals: Rubber & AISI 302 Stainless
- › Grease: Mobil FM222 USDA H-1
- › End covers and back covers available from stock



PART NO.	SHAFT SIZE d		DIMENSIONS (MM) (IN)							BEARING NO.	HOUSING NO.	WT. KG
	MM	IN	A	B	C	E	F	G	L			
SHCTF201-8		1/2	86	27.8	13.4	63.5	18	11	44.6	SHC201-8	TF204	0.3
SHCTF202-10		5/8	3.39	1.09	0.50	2.50	0.71	0.47	1.76	SHC202-10		
SHCTF204-20MM	20		86	27.8	13.4	63.5	18	11	44.6	SHC204-20MM	TF204	0.3
SHCTF204-12		3/4	3.39	1.09	0.50	2.50	0.71	0.47	1.76	SHC204-12	TF205	0.4
SHCTF205-25MM	25		95	28	14	70	17	11	43.9	SHC205-25MM		
SHCTF205-14		7/8	3.75	1.10	0.55	2.76	0.67	0.47	1.73	SHC205-14		
SHCTF205-15		15/16								SHC205-15		
SHCTF205-16		1								SHC205-16		
SHCTF206-30MM	30		107	31.5	14.3	83	19.2	11	49.3	SHC206-30MM	TF206	0.7
SHCTF206-18		1 1/8	4.21	1.24	0.56	3.25	0.76	0.47	1.94	SHC206-18		
SHCTF206-19		1 3/16								SHC206-19		
SHCTF206-20		1 1/4								SHC206-20		
SHCTF207-35MM	35		118	34.8	15.5	92	21.5	13	53.8	SHC207-35MM	TF207	0.9
SHCTF207-20		1 1/4	4.65	1.37	0.61	3.63	0.85	0.55	2.12	SHC207-20		
SHCTF207-22		1 3/8								SHC207-22		
SHCTF207-23		1 7/16								SHC207-23		
SHCTF208-40MM	40		130	37.5	17	102	23	14	57.9	SHC208-40MM	TF208	1.1
SHCTF208-24		1 1/2	5.12	1.47	0.67	4.00	0.91	0.63	2.28	SHC208-24	TF209	1.3
SHCTF209-45MM	45		137	41	19	105	24	16.5	58.9	SHC209-45MM		
SHCTF209-27		1 11/16	5.39	1.61	0.75	4.13	0.95	0.65	2.32	SHC209-27		
SHCTF209-28		1 3/4								SHC209-28		
SHCTF210-50MM	50		143	43	21	111	25	16.5	63.1	SHC210-50MM	TF210	1.5
SHCTF210-31		1 15/16	5.63	1.69	0.83	4.37	0.98	0.65	4.48	SHC210-31	TF211	2.2
SHCTF210-32		2								SHC210-32		
SHCTF211-55MM	55		162	43	18	130	25	16.5	68.6	SHC211-55MM	TF211	2.2
SHCTF211-32		2 3/16	6.30	1.69	0.71	5.12	0.98	0.65	2.70	SHC211-32		
SHCTF211-35										SHC211-35		
SHCTF212-60MM	60		175	48	18	143	29	19	75.8	SHC212-60MM	TF212	2.7
SHCTF212-39		2 7/16	6.89	1.89	0.71	5.63	1.14	0.75	2.98	SHC212-39		

Note: Other sizes are available upon request.

THERMOPLASTIC 2-BOLT FLANGE

SUCTFL 200

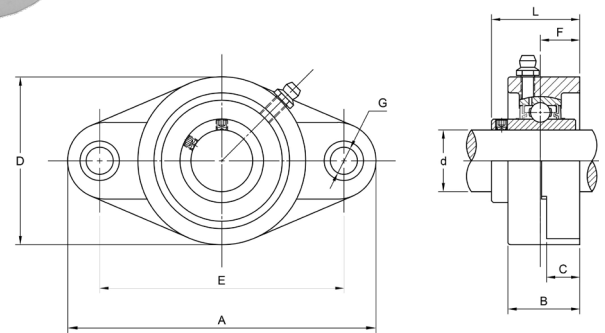
**Stainless Steel Normal Duty Bearing
PBT Thermoplastic Housing
Set Screw Lock, Solid Flange
Metric and Inch Bores**

Housing:

- › Material: Reinforced PBT (polybutylene terephthalate)
- › Working Temperatures: -10°F to 210°F
- › Interchanges with standard housing dimensions
- › Sleeves and bushings are stainless steel
- › Smooth housing designed for washdown
- › Excellent chemical resistance
- › Grease Fitting: AISI 304

Bearing Insert:

- › Inner & Outer Race: AISI 440C Stainless
- › Cage & Set Screw: AISI 302 Stainless
- › Balls: AISI 440C Stainless
- › Seals: Rubber & AISI 302 Stainless
- › Grease: Mobil FM222 USDA H-1
- › End covers and back covers available from stock
- › Use SSB Insert with back cover



PART NO.	SHAFT SIZE d		DIMENSIONS (MM) (IN)								BEARING NO.	HOUSING NO.	WT. KG
	MM	IN	A	B	C	D	E	F	G	L			
SUCTFL201-8		1/2	113	27	13.4	64	90	15	11	33.3	SUC201-8	TFL204	0.3
SUCTFL202-10		5/8	4.45	1.06	0.53	2.52	3.54	0.59	0.43	1.31	SUC202-10		
SUCTFL204-20MM	20		113	27	13.4	64	90	15	11	33.3	SUC204-20MM	TFL204	0.3
SUCTFL204-12		3/4	4.45	1.06	0.53	2.52	3.54	0.59	0.43	1.31	SUC204-12		
SUCTFL205-25MM	25		130	29.1	13.5	68	99	16	11	35.8	SUC205-25MM	TFL205	0.4
SUCTFL205-14		7/8	5.12	1.15	0.53	2.68	3.90	0.63	0.43	1.41	SUC205-14		
SUCTFL205-15		15/16									SUC205-15		
SUCTFL205-16		1									SUC205-16		
SUCTFL206-30MM	30										148	31	14.3
SUCTFL206-18		1 1/8	5.83	1.22	0.56	3.15	4.61	0.71	0.43	1.58	SUC206-18		
SUCTFL206-19		1 3/16									SUC206-19		
SUCTFL206-20		1 1/4									SUC206-20		
SUCTFL207-35MM	35										161	34	16
SUCTFL207-20		1 1/4	6.34	1.34	0.63	3.54	5.12	0.75	0.51	1.75	SUC207-20		
SUCTFL207-22		1 3/8									SUC207-22		
SUCTFL207-23		1 7/16									SUC207-23		
SUCTFL208-40MM	40										175	37.5	20
SUCTFL208-24		1 1/2	6.89	1.48	0.79	3.94	5.67	0.83	0.55	2.02	SUC208-24		
SUCTFL209-45MM	45		189	41	21	108	149	24	17	54.2	SUC209-45MM	TFL209	1.3
SUCTFL209-27		1 11/16	7.44	1.61	0.83	4.25	5.87	0.94	0.67	2.13	SUC209-27		
SUCTFL209-28		1 3/4									SUC209-28		
SUCTFL210-50MM	50		197	43	21	115	157	25	17	57.6	SUC210-50MM	TFL210	1.5
SUCTFL210-31		1 15/16	7.76	1.69	0.83	4.53	6.18	0.98	0.67	2.27	SUC210-31	TFL211	2
SUCTFL210-32		2									SUC210-32		
SUCTFL211-55MM	55		224	58.4	23	129	184	26	19	59.4	SUC211-55MM	TFL211	2
SUCTFL211-32		2	8.82	2.30	0.91	5.08	7.24	1.02	0.75	2.34	SUC211-32		
SUCTFL211-35		2 3/16									SUC211-35		
SUCTFL212-60MM	60		250	68.7	25	138	212	29	23	68.7	SUC212-60MM	TFL212	2.5
SUCTFL212-39		2 7/16	9.84	2.70	0.98	5.43	8.35	1.14	0.91	2.70	SUC212-39		

Note: Larger sizes are available upon request.

THERMOPLASTIC 2-BOLT FLANGE

SHCTFL 200



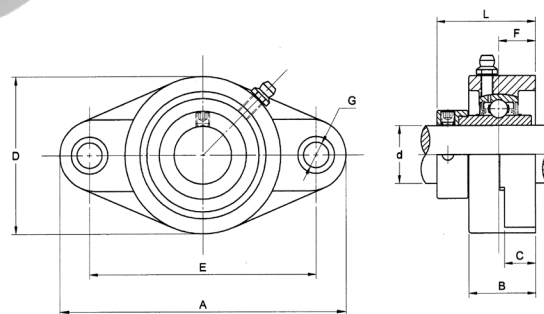
Stainless Steel Normal Duty Bearing PBT Thermoplastic Housing Eccentric Lock Collar, Solid Base Metric and Inch Bores

Housing:

- › Material: Reinforced PBT (polybutylene terephthalate)
- › Working Temperatures: -10°F to 210°F
- › Interchanges with standard housing dimensions
- › Sleeves and bushings are stainless steel
- › Solid base, smooth housing designed for washdown
- › Excellent chemical resistance
- › Grease Fitting: AISI 304

Bearing Insert:

- › Inner & Outer Race: AISI 440C Stainless
- › Cage & Set Screw: AISI 302 Stainless
- › Collar: AISI 304 Stainless
- › Balls: AISI 440C Stainless
- › Seals: Rubber & AISI 302 Stainless
- › Grease: Mobil FM222 USDA H-1



PART NO.	SHAFT SIZE d		DIMENSIONS (MM) (IN)								BEARING NO.	HOUSING NO.	WT. KG
	MM	IN	A	B	C	D	E	F	G	L			
SHCTFL201-8		1/2	113	27	13.4	64	90	15	11	44.9	SHC201-8	TFL204	0.3
SHCTFL202-10		5/8	4.45	1.06	0.53	2.52	3.54	0.59	0.43	1.77	SHC202-10		
SHCTFL204-20MM	20		113	27	13.4	64	90	15	11	44.9	SHC204-20MM	TFL204	0.3
SHCTFL204-12		3/4	4.45	1.06	0.53	2.52	3.54	0.59	0.43	1.77	SHC204-12		
SHCTFL205-25MM	25		130	29.1	13.5	68	99	16	11	46.7	SHC205-25MM		
SHCTFL205-14		7/8	5.12	1.15	0.53	2.68	3.90	0.63	0.43	1.84	SHC205-14	TFL205	0.4
SHCTFL205-15		15/16									SHC205-15		
SHCTFL205-16		1									SHC205-16		
SHCTFL206-30MM	30		148	31	14.3	80	117	18	11	52.3	SHC206-30MM	TFL206	0.7
SHCTFL206-18		1 1/8	5.83	1.22	0.56	3.15	4.61	0.71	0.43	2.06	SHC206-18		
SHCTFL206-19		1 3/16									SHC206-19		
SHCTFL206-20		1 1/4									SHC206-20		
SHCTFL207-35MM	35										161	34	16
SHCTFL207-20		1 1/4	6.34	1.34	0.63	3.54	5.12	0.75	0.51	2.27	SHC207-20		
SHCTFL207-22		1 3/8									SHC207-22		
SHCTFL207-23		1 7/16									SHC207-23		
SHCTFL208-40MM	40										175	37.5	20
SHCTFL208-24		1 1/2	6.89	1.48	0.79	3.94	5.67	0.83	0.55	2.56	SHC208-24		
SHCTFL209-45MM	45		189	41	21	108	149	24	17	65.1	SHC209-45MM	TFL209	1.3
SHCTFL209-27		1 11/16	7.44	1.61	0.83	4.25	5.87	0.94	0.67	2.56	SHC209-27		
SHCTFL209-28		1 3/4									SHC209-28		
SHCTFL210-50MM	50		197	43	21	115	157	25	17	70.7	SHC210-50MM	TFL210	1.5
SHCTFL210-31		1 15/16	7.76	1.69	0.83	4.53	6.18	0.98	0.67	2.78	SHC210-31	TFL211	2
SHCTFL210-32		2									SHC210-32		
SHCTFL211-55MM	55		224	58.4	23	129	184	26	19	69.6	SHC211-55MM		
SHCTFL211-32		2	8.82	2.30	0.91	5.08	7.24	1.02	0.75	2.74	SHC211-32		
SHCTFL211-35		2 3/16									SHC211-35		
SHCTFL212-60MM	60		250	68.7	25	138	212	29	23	75.8	SHC212-60MM	TFL212	2.5
SHCTFL212-39		2 7/16	9.84	2.70	0.98	5.43	8.35	1.14	0.91	2.98	SHC212-39		

Note: Larger sizes are available upon request.

THERMOPLASTIC 3-BOLT FLANGED BRACKET

SUCTFB 200

Stainless Steel Normal Duty Bearing
PBT Thermoplastic Housing
Set Screw Lock, Solid Flange
Metric and Inch Bores

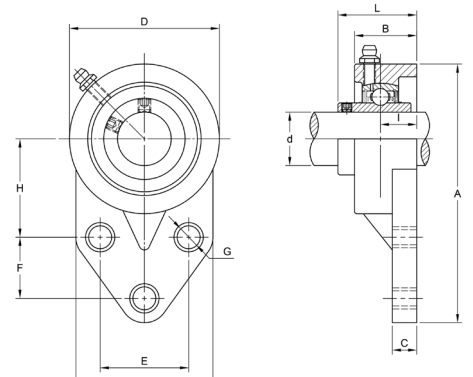


Housing:

- › Material: Reinforced PBT (polybutylene terephthalate)
- › Working Temperatures: -10°F to 210°F
- › Interchanges with standard housing dimensions
- › Sleeves and bushings are stainless steel
- › Smooth housing designed for washdown
- › Excellent chemical resistance
- › Grease Fitting: AISI 304

Bearing Insert:

- › Inner & Outer Race: AISI 440C Stainless
- › Cage & Set Screw: AISI 302 Stainless
- › Balls: AISI 440C Stainless
- › Seals: Rubber & AISI 302 Stainless
- › Grease: Mobil FM222, USDA H-1
- › End covers and back covers available from stock
- › Use SSB Insert with back cover



PART NO.	SHAFT SIZE d		DIMENSIONS (MM) (IN)											BEARING NO.	HOUSING NO.	WT. KG
	MM	IN	A	B	C	D	E	F	G	H	I	L	M			
SUCTFB201-8		1/2	108	26.5	11.4	63.5	38.1	22.2	10.7	42.9	16	34.3	62	SUC201-8	TFB204	0.3
SUCTFB202-10		5/8	4.25	1.04	0.45	2.50	1.50	0.87	0.42	1.69	0.63	1.35	2.44	SUC202-10		
SUCTFB204-20MM	20		108	26.5	11.4	63.5	38.1	22.2	10.7	42.9	16	34.3	62	SUC204-20MM	TFB204	0.3
SUCTFB204-12		3/4	4.25	1.04	0.45	2.50	1.50	0.87	0.42	1.69	0.63	1.35	2.44	SUC204-12		
SUCTFB205-25MM	25		121	28	11.4	70	41.3	28.6	10.7	46	17	36.8	63.5	SUC205-25MM	TFB205	0.4
SUCTFB205-14		7/8	4.76	1.10	0.45	2.76	1.63	1.13	0.42	1.81	0.67	1.45	2.50	SUC205-14		
SUCTFB205-15		15/16												SUC205-15		
SUCTFB205-16		1												SUC205-16		
SUCTFB206-30MM	30		138	30.5	13.3	83	47.6	31.8	10.7	52.4	19	41.2	76	SUC206-30MM	TFB206	0.7
SUCTFB206-18		1 1/8	5.43	1.20	0.52	3.27	1.87	1.25	0.42	2.06	0.75	1.62	2.99	SUC206-18		
SUCTFB206-19		1 3/16												SUC206-19		
SUCTFB206-20		1 1/4												SUC206-20		
SUCTFB207-35MM	35		156	32	15	95	50.8	31.8	13.1	60.3	21	46.4	89	SUC207-35MM	TFB207	0.9
SUCTFB207-20		1 1/4	6.14	1.25	0.59	3.74	2.00	1.25	0.52	2.37	0.83	1.83	3.50	SUC207-20		
SUCTFB207-22		1 3/8												SUC207-22		
SUCTFB207-23		1 7/16												SUC207-23		
SUCTFB208-40MM	40		164	35	16	100	50	41.3	13.1	66.3	21	51.2	78	SUC208-40MM	TFB208	1.1
SUCTFB208-24		1 1/2	6.46	1.38	0.63	3.94	1.97	1.63	0.52	2.61	0.83	2.02	3.07	SUC208-24		

Note: Larger sizes are available upon request.

THERMOPLASTIC 3-BOLT FLANGED BRACKET

SHCTFB 200



Stainless Steel Normal Duty Bearing
PBT Thermoplastic Housing
Eccentric Lock Collar, Solid Base
Metric and Inch Bores

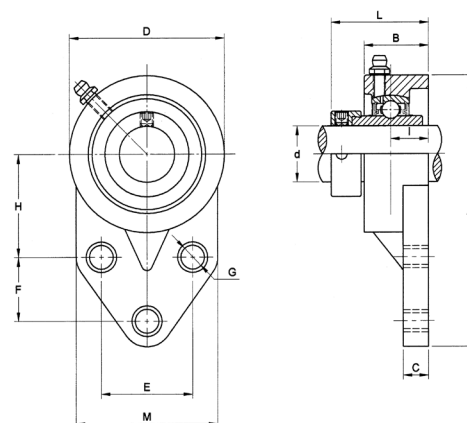


Housing:

- › Material: Reinforced PBT (polybutylene terephthalate)
- › Working Temperatures: -10°F to 210°F
- › Interchanges with standard housing dimensions
- › Sleeves and bushings are stainless steel
- › Solid base, smooth housing designed for washdown
- › Excellent chemical resistance
- › Grease Fitting: AISI 304

Bearing Insert:

- › Inner & Outer Race: AISI 440C Stainless
- › Cage & Set Screw: AISI 302 Stainless
- › Collar: AISI 304 Stainless
- › Balls: AISI 440C Stainless
- › Seals: Rubber & AISI 302 Stainless
- › Grease: Mobil FM222, USDA H-1



PART NO.	SHAFT SIZE d		DIMENSIONS (MM) (IN)											BEARING NO.	HOUSING NO.	WT. KG
	MM	IN	A	B	C	D	E	F	G	H	I	L	M			
SHCTFB201-8		1/2	108	26.5	11.4	63.5	38.1	22.2	10.7	42.9	16	42.6	62	SHC201-8	TFB204	0.3
SHCTFB202-10		5/8	4.25	1.04	0.45	2.50	1.50	0.87	0.42	1.69	0.63	1.68	2.44	SHC202-10		
SHCTFB204-20MM	20		108	26.5	11.4	63.5	38.1	22.2	10.7	42.9	16	42.6	62	SHC204-20MM	TRB204	0.3
SHCTFB204-12		3/4	4.25	1.04	0.45	2.50	1.50	0.87	0.42	1.69	0.63	1.68	2.44	SHC204-12		
SHCTFB205-25MM	25		121	28	11.4	70	41.3	28.6	10.7	46	17	43.9	63.5	SHC205-25MM	TFB205	0.4
SHCTFB205-14		7/8	4.76	1.10	0.45	2.76	1.63	1.13	0.42	1.81	0.67	1.73	2.50	SHC205-14		
SHCTFB205-15		15/16												SHC205-15		
SHCTFB205-16		1												SHC205-16		
SHCTFB206-30MM	30		138	30.5	13.3	83	47.6	31.8	10.7	52.4	19	49.1	76	SHC206-30MM	TFB206	0.7
SHCTFB206-18		1 1/8	5.43	1.20	0.52	3.27	1.87	1.25	0.42	2.06	0.75	1.93	2.99	SHC206-18		
SHCTFB206-19		1 3/16												SHC206-19		
SHCTFB206-20		1 1/4												SHC206-20		
SHCTFB207-35MM	35		156	32	15	95	50.8	31.8	13.1	60.3	21	53.3	89	SHC207-35MM	TFB207	0.9
SHCTFB207-20		1 1/4	6.14	1.25	0.59	3.74	2.00	1.25	0.52	2.37	0.83	2.10	3.50	SHC207-20		
SHCTFB207-22		1 3/8												SHC207-22		
SHCTFB207-23		1 7/16												SHC207-23		
SHCTFB208-40MM	40		164	35	16	100	50	41.3	13.1	66.3	21	55.9	78	SHC208-40MM	TFB208	1.1
SHCTFB208-24		1 1/2	6.46	1.38	0.63	3.94	1.97	1.63	0.52	2.61	0.83	2.20	3.07	SHC208-24		

Note: Larger sizes are available upon request.

THERMOPLASTIC TAKE-UP UNIT

SUCTT 200

Stainless Steel Normal Duty Bearing
PBT Thermoplastic Housing
Set Screw Lock
Metric and Inch Bores
Narrow Slot

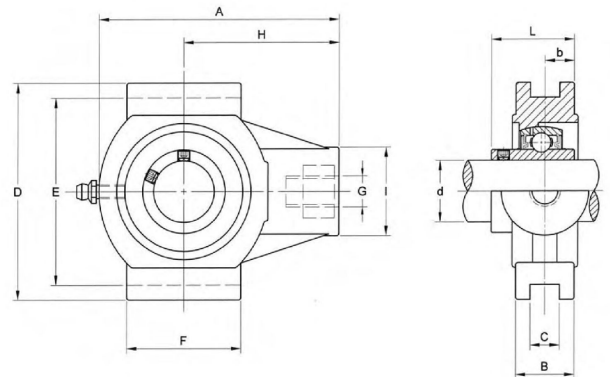
Housing:

- › Material: Reinforced PBT (polybutylene terephthalate)
- › Working Temperatures: -10°F to 210°F
- › Interchanges with standard housing dimensions
- › Sleeves and bushings are stainless steel
- › Smooth housing designed for washdown
- › Excellent chemical resistance
- › Grease Fitting: AISI 304



Bearing Insert:

- › Inner & Outer Race: AISI 440C Stainless
- › Cage & Set Screw: AISI 302 Stainless
- › Balls: AISI 440C Stainless
- › Seals: Rubber & AISI 302 Stainless
- › Grease: Mobil FM222 USDA H-1
- › End covers available from stock



PART NO.	SHAFT SIZE d		DIMENSIONS (MM) (IN)											BEARING NO.	HOUSING NO.**	WT. KG
	MM	IN	A	B	B	C**	D	E	F	G*	H	I	L			
SUCTT201-8		1/2	99	24	12.7	12	88	76	47	—	64	36	31	SUC201-8	TT204	0.3
SUCTT202-10		5/8	3.9	0.94	0.5	0.47	3.46	2.99	1.85	1/2 - 13	2.52	1.42	1.22	SUC202-10		
SUCTT204-20MM	20		99	24	12.7	12	88	76	47	—	64	36	31	SUC204-20MM	TT204	0.3
SUCTT204-12		3/4	3.9	0.94	0.5	0.47	3.46	2.99	1.85	1/2 - 13	2.52	1.42	1.22	SUC204-12		
SUCTT205-25MM	25		99	24	14.3	12	88	76	47	—	64	36	34.1	SUC205-25MM	TT205	0.4
SUCTT205-14		7/8												SUC205-14		
SUCTT205-15		15/16	3.9	0.94	0.56	0.47	3.46	2.99	1.85	1/2 - 13	2.52	1.42	1.34	SUC205-15		
SUCTT205-16		1												SUC205-16		
SUCTT206-30MM	30		125	28	15.9	12	102	89	63	—	76	40	38.1	SUC206-30MM	TT206	0.7
SUCTT206-18		1 1/8												SUC206-18		
SUCTT206-19		1 3/16	4.92	1.1	0.63	0.47	4.02	3.5	2.48	5/8 - 11	2.99	1.57	1.5	SUC206-19		
SUCTT206-20		1 1/4												SUC206-20		
SUCTT207-35MM	35		125	28	17.5	12	102	89	63	—	76	40	42.9	SUC207-35MM	TT207	0.9
SUCTT207-20		1 1/4												SUC207-20		
SUCTT207-22		1 3/8	4.92	1.1	0.69	0.47	4.02	3.5	2.48	5/8 - 11	2.99	1.57	1.69	SUC207-22		
SUCTT207-23		1 7/16												SUC207-23		

Note: * Threaded Insert (G dimension) stocked only in inch threads. ** Wide Slot optional. Larger sizes on request.

THERMOPLASTIC TAKE-UP UNIT

SHCTT 200



Stainless Steel Normal Duty Bearing
PBT Thermoplastic Housing
Eccentric Lock Collar
Metric and Inch Bores
Narrow Slot

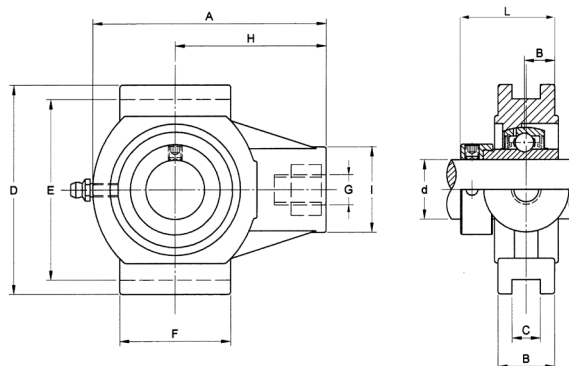
Housing:

- › Material: Reinforced PBT (polybutylene terephthalate)
- › Working Temperatures: -10°F to 210°F
- › Interchanges with standard housing dimensions
- › Sleeves and bushings are stainless steel
- › Smooth housing designed for washdown
- › Excellent chemical resistance
- › Grease Fitting: AISI 304



Bearing Insert:

- › Inner & Outer Race: AISI 440C Stainless
- › Cage & Set Screw: AISI 302 Stainless
- › Collar: AISI 304 Stainless
- › Balls: AISI 440C Stainless
- › Seals: Rubber & AISI 302 Stainless
- › Grease: Mobil FM222 USDA H-1
- › End covers available from stock



PART NO.	SHAFT SIZE d		DIMENSIONS (MM) (IN)											BEARING NO.	HOUSING NO. **	WT. KG
	MM	IN	A	B	B	C**	D	E	F	G*	H	I	L			
SHCTT201-8		1/2	99	24	12.7	12	88	76	47	—	64	36	39.3	SHC201-8	TT204	0.3
SHCTT202-10		5/8	3.9	0.94	0.5	0.47	3.46	2.99	1.85	1/2 - 13	2.52	1.42	1.55	SHC202-10		
SHCTT204-20MM	20		99	24	12.7	12	88	76	47	—	64	36	39.3	SHC204-20MM	TT204	0.3
SHCTT204-12		3/4	3.9	0.94	0.5	0.47	3.46	2.99	1.85	1/2 - 13	2.52	1.42	1.55	SHC204-12		
SHCTT205-25MM	25		99	24	14.3	12	88	76	47	—	64	36	41.2	SHC205-25MM	TT205	0.4
SHCTT205-14		7/8												SHC205-14		
SHCTT205-15		15/16	3.9	0.94	0.56	0.47	3.46	2.99	1.85	1/2 - 13	2.52	1.42	1.62	SHC205-15		
SHCTT205-16		1												SHC205-16		
SHCTT206-30MM	30		125	28	15.9	12	102	89	63	—	76	40	46	SHC206-30MM	TT206	0.7
SHCTT206-18		1 1/8												SHC206-18		
SHCTT206-19		1 3/16	4.92	1.1	0.63	0.47	4.02	3.5	2.48	5/8 - 11	2.99	1.57	1.81	SHC206-19		
SHCTT206-20		1 1/4												SHC206-20		
SHCTT207-35MM	35		125	28	17.5	12	102	89	63	—	76	40	49.8	SHC207-35MM	TT207	0.9
SHCTT207-20		1 1/4												SHC207-20		
SHCTT207-22		1 3/8	4.92	1.1	0.69	0.47	4.02	3.5	2.48	5/8 - 11	2.99	1.57	1.96	SHC207-22		
SHCTT207-23		1 7/16												SHC207-23		

Note: * Threaded Insert (G dimension) stocked only in inch threads. ** Wide Slot optional. Larger sizes on request.

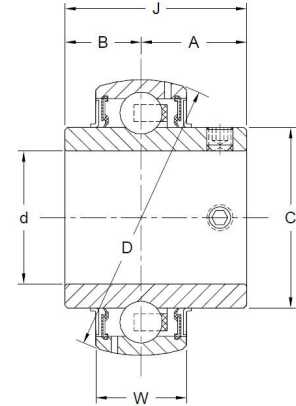
STAINLESS STEEL BALL BEARING INSERTS

SUC 200

**Stainless Steel Normal Duty Bearing
Set Screw Lock
Metric and Inch Bores
Wide Inner Ring**

Bearing Insert:

- › Inner & Outer Race: AISI 440C Stainless
- › Cage: AISI 302 Stainless
- › Balls: AISI 400C Stainless
- › Seals: Rubber & AISI 302 Stainless
- › Set Screws: AISI 302 Stainless
- › Grease: Mobil FM222, USDA H-1



PART NO.	SHAFT SIZE d		DIMENSIONS (MM) (IN)						BASIC LOAD RATING CN LBF	BASIC STATIC LOAD RATING C ₀ LBF	MAX RPM	WT. KG
	MM	IN	A	B	C	D	J	W				
SUC201-8		1/2	0.72	0.5	1.12	1.8504	1.22	0.669	2400	1180	7450	0.2
SUC202-10		5/8										
SUC204-20MM	20		18.3	12.7	28.5	47	31	17	10560	5190	7450	0.2
SUC204-12		3/4										
SUC205-25MM	25		19.8	14.3	34	52	34.1	17	11440	6290	6250	0.2
SUC205-14		7/8										
SUC205-15		15/16										
SUC205-16		1										
SUC206-30MM	30		22.2	15.9	40	62	38.1	19	16280	8900	5300	0.3
SUC206-18		1 1/8										
SUC206-19		1 3/16										
SUC206-20		1 1/4										
SUC207-35MM	35		25.4	17.5	46.7	72	42.9	20	21340	12320	4500	0.5
SUC207-20		1 1/4										
SUC207-22		1 3/8										
SUC207-23		1 7/16										
SUC208-40MM	40		30.2	19	52.7	80	49.2	21	24640	14080	4000	0.7
SUC208-24		1 1/2										
SUC209-45MM	45		30.2	19	57.3	85	49.2	22	27280	15840	3700	0.7
SUC209-27		1 11/16										
SUC209-28		1 3/4										
SUC210-50MM	50		32.6	19	62.2	90	51.6	24	29920	18500	3400	0.8
SUC210-31		1 15/16										
SUC210-32		2										
SUC211-55MM	55		33.4	22.2	68.8	100	55.6	25	32560	24640	3100	1.1
SUC211-32		2										
SUC211-35		2 3/16										
SUC212-60MM	60		39.7	25.4	75.4	110	65.1	27	39600	30360	2800	1.5
SUC212-39		2 7/16										
SUC215-47	—	2 15/16	1.75	1.31	3.62	5.1181	3.06	1.26	48400	40700	2300	2.2
SUC215-48	—	3							11000	9250		

Note: Larger sizes are available upon request.

STAINLESS STEEL BALL BEARING INSERTS

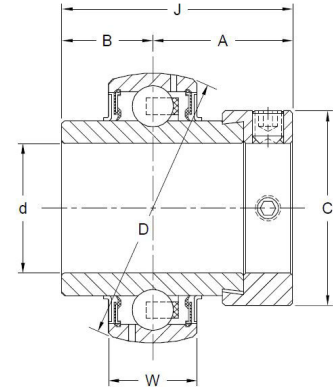
SHC 200



Stainless Steel Normal Duty Bearing Eccentric Collar Lock Metric and Inch Bores Wide Inner Ring

Bearing Insert:

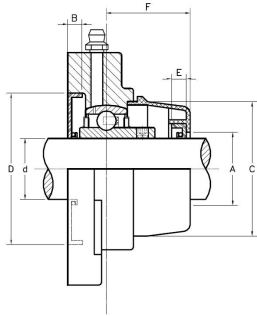
- › Inner & Outer Race: AISI 440C Stainless
- › Cage: AISI 302 Stainless
- › Balls: AISI 400C Stainless
- › Seals: Rubber & AISI 302 Stainless
- › Collar: AISI 304 Stainless
- › Grease: Mobil FM222, USDA H-1



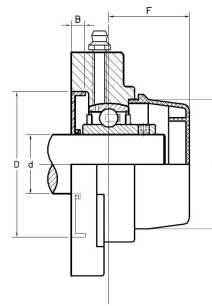
PART NO.	SHAFT SIZE d		DIMENSIONS (MM) (IN)						BASIC LOAD RATING CN LBF	BASIC STATIC LOAD RATING C ₀ N LBF	MAX RPM	WT. KG
	MM	IN	A	B	C	D	J	W				
SHC201-8		1/2	26.6	12.7	33.3	47	39.3	17	10560	5190	7450	0.2
SHC202-10		5/8	1.05	0.5	1.31	1.85	1.55	0.67	2400	1180		
SHC204-20MM	20		26.6	12.7	33.3	47	39.3	17	10560	5190	7450	0.2
SHC204-12		3/4	1.05	0.5	1.31	1.85	1.55	0.67	2400	1180		
SHC205-25MM	25		26.9	14.3	38.1	52	41.2	17	11440	6290	6250	0.3
SHC205-14		7/8	1.06	0.56	1.5	2.047	1.62	0.67	2600	1430		
SHC205-15		15/16										
SHC205-16		1										
SHC206-30MM	30		30.1	15.9	44.5	62	46.1	19	16280	8900	5300	0.5
SHC206-18		1 1/8	1.19	0.63	1.75	2.441	1.82	0.75	3700	2030		
SHC206-19		1 3/16										
SHC206-20		1 1/4										
SHC207-35MM	35										32.3	17.5
SHC207-20		1 1/4	1.27	0.69	2.19	2.835	1.96	0.79	4850	2800		
SHC207-22		1 3/8										
SHC207-23		1 7/16										
SHC208-40MM	40		34.9	19	60.3	80	53.9	21	24640	14080	4000	0.8
SHC208-24		1 1/2	1.38	0.75	2.37	3.15	2.12	0.83	5600	3200		
SHC209-45MM	45		34.9	19	63.5	85	53.9	22	27280	15840	3700	1.1
SHC209-26		1 5/8	1.38	0.75	2.5	3.347	2.12	0.87	6200	3600		
SHC209-27		1 11/16										
SHC209-28		1 3/4										
SHC210-50MM	50										38.1	19
SHC210-30		1 7/8	1.5	0.75	2.75	3.543	2.24	0.94	6800	4200		
SHC210-31		1 15/16										
SHC210-32		2										
SHC211-55MM	55		43.6	22.2	76.2	100	65.8	25	32560	24640	3100	1.4
SHC211-32		2	1.71	0.87	3	3.937	2.59	0.98	7400	5600		
SHC211-34		2 1/8										
SHC211-35		2 3/16										
SHC212-60MM	60										46.8	25.4
SHC212-36		2 1/4	1.84	1	3.31	4.331	2.84	1.06	9000	6900		
SHC212-38		2 3/8										
SHC212-39		2 7/16										

Note: Larger sizes are available upon request.

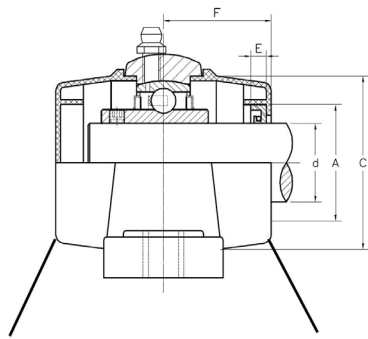
PBT COVERS FOR THERMOPLASTIC HOUSINGS



Flange with Open Cover OP
and Back Cover BK



Flange with Closed Cover CL
and Back Cover BK

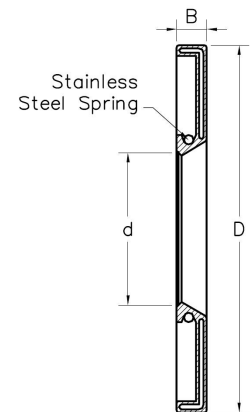


Closed Cover CL

Open Cover OP



Flange Back Cover BK



Pillow Block

PART NO.	SHAFT SIZE d		DIMENSIONS (MM) (IN)						
	MM	IN	A	B	C	D	E	F (PB)	F (FLG)
PBT 204 OP	20	3/4	32	6	50	52	7	32	31
PBT 204 BK			1.26	0.24	1.97	2.05	0.28	1.26	1.22
PBT204 CL									
PBT 205 OP	25	7/8, 15/16, 1	37	6	55	62	7	36	33
PBT 205 BK			1.46	0.24	2.17	2.44	0.28	1.42	1.3
PBT 205 CL									
PBT 206 OP	30	1 1/8, 13/16, 11/4	42	6	64	72	7	43	39
PBT 206 BK			1.65	0.24	2.52	2.83	0.28	1.69	1.54
PBT 206 CL									
PBT 207 OP	35	1 1/4, 13/8, 17/16	47	6	74.5	82	7	46	42
PBT 207 BK			1.85	0.24	2.93	3.23	0.28	1.81	1.65
PBT 207 CL									
PBT 208 OP	40	1 1/2	52	6	84	88	7	53	47
PBT 208 BK			2.05	0.24	3.31	3.46	0.28	2.09	1.85
PBT 208 CL									
PBT 209 OP	45	1 5/8, 111/16, 13/4	57	6	89	93	7	68	63
PBT 209 BK			2.24	0.24	3.5	3.66	0.28	2.67	2.48
PBT 209 CL									
PBT 210 OP	50	1 7/8, 1 15/16, 2	62	6	94	98	7	72	67
PBT 210 BK			2.44	0.24	3.7	3.86	0.28	2.83	2.64
PBT 210 CL									

CONVERSION INFORMATION



METRIC EQUIVALENTS

MM	IN	MM	IN	MM	IN	MM	IN	MM	IN	MM	IN	MM	IN
1	0.0394	21	0.8268	41	1.6142	61	2.4016	81	3.1890	105	4.1339	205	8.0709
2	0.0787	22	0.8661	42	1.6535	62	2.4409	82	3.2283	110	4.3307	210	8.2677
3	0.1181	23	0.9055	43	1.6929	63	2.4803	83	3.2677	115	4.5276	215	8.4646
4	0.1575	24	0.9449	44	1.7323	64	2.5197	84	3.3071	120	4.7244	220	8.6614
5	0.1969	25	0.9843	45	1.7717	65	2.5591	85	3.3465	125	4.9213	225	8.8583
6	0.2362	26	1.0236	46	1.8110	66	2.5984	86	3.3858	130	5.1181	230	9.0551
7	0.2756	27	1.0630	47	1.8504	67	2.6378	87	3.4252	135	5.3150	235	9.2520
8	0.3150	28	1.1024	48	1.8898	68	2.6772	88	3.4646	140	5.5118	240	9.4488
9	0.3543	29	1.1417	49	1.9291	69	2.7165	89	3.5039	145	5.7087	245	9.6457
10	0.3937	30	1.1811	50	1.9685	70	2.7559	90	3.5433	150	5.9055	250	9.8425
11	0.4332	31	1.2205	51	2.0079	71	2.7953	91	3.5827	155	6.1024	255	10.0394
12	0.4724	32	1.2598	52	2.0472	72	2.8346	92	3.6220	160	6.2992	260	10.2362
13	0.5118	33	1.2992	53	2.0866	73	2.8740	93	3.6614	165	6.4961	265	10.4331
14	0.5512	34	1.3386	54	2.1260	74	2.9134	94	3.7008	170	6.6929	270	10.6299
15	0.5906	35	1.3780	55	2.1654	75	2.9528	95	3.7402	175	6.8898	275	10.8268
16	0.6299	36	1.4173	56	2.2047	76	2.9921	96	3.7795	180	7.0866	280	11.0236
17	0.6693	37	1.4567	57	2.2441	77	3.0315	97	3.8189	185	7.2835	285	11.2205
18	0.7087	38	1.4961	58	2.2835	78	3.0709	98	3.8583	190	7.4803	290	11.4173
19	0.7480	39	1.5354	59	2.3228	79	3.1102	99	3.8976	195	7.6772	295	11.6142
20	0.7874	40	1.5748	60	2.3622	80	3.1496	100	3.9370	200	7.8740	300	11.8110

DECIMAL EQUIVALENTS

1/64	0.0156	17/64	0.2656	33/64	0.5156	49/64	0.7656
1/32	0.0313	9/32	0.2813	17/32	0.5313	25/32	0.7813
3/64	0.0469	19/64	0.2969	35/64	0.5469	51/64	0.7969
1/16	0.0625	5/16	0.3125	9/16	0.5625	13/16	0.8125
5/64	0.0781	21/64	0.3281	37/64	0.5781	53/64	0.8281
3/32	0.0938	11/32	0.3438	19/32	0.5938	27/32	0.8438
7/64	0.1094	23/64	0.3594	39/64	0.6094	55/64	0.8594
1/8	0.1250	3/8	0.3750	5/8	0.6250	7/8	0.8750
9/64	0.1406	25/64	0.3906	41/64	0.6406	57/64	0.8906
5/32	0.1563	13/32	0.4063	21/32	0.6563	29/32	0.9063
11/64	0.1719	27/64	0.4219	43/64	0.6719	59/64	0.9219
3/16	0.1875	7/16	0.4375	11/16	0.6875	15/16	0.9375
13/64	0.2031	29/64	0.4531	45/64	0.7031	61/64	0.9531
7/32	0.2188	15/32	0.4688	23/32	0.7188	31/32	0.9688
15/64	0.2344	31/64	0.4844	47/64	0.7344	63/64	0.9844
1/4	0.2500	1/2	0.5000	3/4	0.7500	1	1.0000

METRIC CONVERSIONS

METRIC	=	INCH	METRIC	=	INCH
Millimeter (mm)	=	0.0393701 Inch (in)	1 Kilogram (kg)	=	2.204 Pounds (lb)
25.4 Millimeters (mm)	=	1 Inch (in)	1 Joule (J)	=	0.7375621 Foot-Pounds (ft-lb)
1 Meter (m)	=	3.2808 Feet (ft)	1 Square Centimeter (cm ²)	=	0.1550003 Square Inches (in ²)
1 Meter (m)	=	39.37 Inches (in)	1 Cubic Meter (m ³)	=	35.31466 Cubic Feet (ft ³)
1 Newton (n)	=	0.102 Kilogram-Force (kgf)	1 Kilogram Per Square Centimeter (kg/cm ²)	=	14.22334 Pounds Per Square Inch (lb/in ²)
1 Newton (n)	=	0.2248 Pound-Force (lbf)	1 Kilogram Per Meter (kg/m)	=	0.67197 Pounds Per Foot (lb/ft)
1 Bar	=	100 Kilopascals (kPa)	1 U.S. Horsepower (HP)	=	0.7457 Kilowatt (kw)
1 Bar	=	14.50377 Pounds per Square Inch (lb/in ²)	1 Metric Horsepower (CV)	=	0.9863203 U.S. Horsepower (HP)



NSK AMERICAS

United States

NSK Corporation
Ann Arbor MI
1.888.446.5675

Canada

NSK Canada Inc.
Mississauga ON
1.888.603.7667

Mexico

NSK Rodamientos Mexicana,
S.A. de C.V.
Silao Guanajuato MX
52.472.500.9500

Brazil

NSK Brasil Ltda.
Sao Paulo SP
55.11.3269.4700

Argentina

NSK Argentina SRL
Buenos Aires
54.11.4762.6556

Latin America

NSK Latin America Inc.
Miramar FL
1.305.477.0605

NSK Americas:

www.nskamericas.com

NSK Global:

www.nsk.com

Every care has been taken to ensure the accuracy of the data contained in this brochure, but no liability can be accepted for any loss or damage suffered through errors or omissions.

Printed in the USA ©NSK 2023. The contents of this publication are the copyright of the publishers.